

INSTRUCTION MANUAL FOR



RUGER® LC CARBINE™ 45 AUTO



– Rugged, Reliable Firearms® –



**READ THE INSTRUCTIONS AND
WARNINGS IN THIS MANUAL CAREFULLY
BEFORE USING THIS FIREARM**

© 2024 Sturm, Ruger & Co., Inc.

This manual may not be reproduced in whole or in part without the express written permission of Sturm, Ruger & Co., Inc.

**For Service on This Model Please Call:
(336) 949-5200 (See p. 60)**

THIS INSTRUCTION MANUAL SHOULD ALWAYS ACCOMPANY THIS FIREARM AND BE
TRANSFERRED WITH IT UPON CHANGE OF OWNERSHIP, OR WHEN THE FIREARM IS LOANED
OR PRESENTED TO ANOTHER PERSON

RUGER.COM

State-By-State Warnings

Certain states require by law that their own specified warning notices in larger-than-normal type be conspicuously included by the manufacturer, distributor or retailer with firearms sold in that state. Sturm, Ruger & Co., Inc. sells its products in compliance with applicable laws and regulations. Because our products may be sold in these states, we include the following:

California:

WARNING

“Firearms must be handled responsibly and securely stored to prevent access by children and other unauthorized users. California has strict laws pertaining to firearms, and you may be fined or imprisoned if you fail to comply with them. Visit the Web site of the California Attorney General at <https://oag.ca.gov/firearms> for information on firearm laws applicable to you and how you can comply.

Prevent child access by always keeping guns locked away and unloaded when not in use. If you keep a loaded firearm where a child obtains and improperly uses it, you may be fined or sent to prison.

If you or someone you know is contemplating suicide, please call the national suicide prevention lifeline at 1-800-273-TALK (8255).”

ADVERTENCIA

“Las armas de fuego deben manipularse de manera responsable y segura para evitar el acceso de niños y otros usuarios no autorizados. California tiene leyes estrictas relacionadas con armas de fuego, y usted puede ser multado o encarcelado si no las cumple. Visite el sitio web del Procurador General de California en <https://oag.ca.gov/firearms> para obtener información sobre las leyes de armas de fuego que le son aplicables y cómo puede cumplirlas.

A los niños los atraen las armas de fuego y las pueden hacer funcionar. Ellos pueden causarse lesiones graves y la muerte. Evite que los niños tengan acceso a las armas de fuego guardándolas siempre con llave y descargadas cuando no las esté utilizando. Si usted tiene un arma de fuego cargada en un lugar en que un niño tiene acceso a ella y la usa indebidamente, le pueden dar una multa o enviarlo a la cárcel.

Si usted o alguien que conoce está pensando en suicidarse, llame a la línea nacional de prevención del suicidio al 1-800-273-TALK (8255).”

Connecticut:

“UNLAWFUL STORAGE OF A LOADED FIREARM MAY RESULT IN IMPRISONMENT OR FINE.”

Florida:

“IT IS UNLAWFUL, AND PUNISHABLE BY IMPRISONMENT AND FINE, FOR ANY ADULT TO STORE OR LEAVE A FIREARM IN ANY PLACE WITHIN THE REACH OR EASY ACCESS OF A MINOR UNDER 18 YEARS OF AGE OR TO KNOWINGLY SELL OR OTHERWISE TRANSFER OWNERSHIP OR POSSESSION OF A FIREARM TO A MINOR OR A PERSON OF UNSOUND MIND.”

Maine:

“ENDANGERING THE WELFARE OF A CHILD IS A CRIME. IF YOU LEAVE A FIREARM AND AMMUNITION WITHIN EASY ACCESS OF A CHILD, YOU MAY BE SUBJECT TO FINE, IMPRISONMENT OR BOTH. KEEP FIREARMS AND AMMUNITION SEPARATE. KEEP FIREARMS AND AMMUNITION LOCKED UP. USE TRIGGER LOCKS.”

Maryland:

“WARNING: Children can operate firearms which may cause death or serious injury. It is a crime to store or leave a loaded firearm in any location where an individual knew or should have known that an unsupervised minor would gain access to the firearm. Store your firearm responsibly!”

Massachusetts:

“IT IS UNLAWFUL TO STORE OR KEEP A FIREARM, RIFLE, SHOTGUN OR MACHINE GUN IN ANY PLACE UNLESS THAT WEAPON IS EQUIPPED WITH A TAMPER-RESISTANT SAFETY DEVICE OR IS STORED OR KEPT IN A SECURELY LOCKED CONTAINER.”

New Jersey:

“IT IS A CRIMINAL OFFENSE TO LEAVE A LOADED FIREARM WITHIN EASY ACCESS OF A MINOR.”

New York:

“THE USE OF A LOCKING DEVICE OR SAFETY LOCK IS ONLY ONE ASPECT OF RESPONSIBLE FIREARM STORAGE. FOR INCREASED SAFETY, FIREARMS SHOULD BE STORED UNLOADED AND LOCKED IN A LOCATION THAT IS BOTH SEPARATE FROM THEIR AMMUNITION AND INACCESSIBLE TO CHILDREN AND UNAUTHORIZED PERSONS.”

North Carolina:

“IT IS UNLAWFUL TO STORE OR LEAVE A FIREARM THAT CAN BE DISCHARGED IN A MANNER THAT A REASONABLE PERSON SHOULD KNOW IS ACCESSIBLE TO A MINOR.”

Texas:

“IT IS UNLAWFUL TO STORE, TRANSPORT, OR ABANDON AN UNSECURED FIREARM IN A PLACE WHERE CHILDREN ARE LIKELY TO BE AND CAN OBTAIN ACCESS TO THE FIREARM.”

Wisconsin:

“IF YOU LEAVE A LOADED FIREARM WITHIN THE REACH OR EASY ACCESS OF A CHILD YOU MAY BE FINED OR IMPRISONED OR BOTH IF THE CHILD IMPROPERLY DISCHARGES, POSSESSES, OR EXHIBITS THE FIREARM.”

* * * * *

Please check with your licensed retailer or state police for additional warnings which may be required by local law or regulation. Such regulations change constantly, and local authorities are in the best position to advise you on such legal matters.

FIREARMS SAFETY IS YOUR RESPONSIBILITY

SAFETY MUST BE THE FIRST AND CONSTANT CONSIDERATION OF EVERY PERSON WHO HANDLES FIREARMS AND AMMUNITION.

This instruction manual is designed to assist you in learning how to use and care for your **RUGER® LC CARBINE™** properly. Please contact us if you have any questions.

Only when you are certain you fully understand the manual and can properly carry out its instructions should you practice loading, unloading, etc. with live ammunition. If you have any doubts about your ability to handle or use a particular type of firearm safely, you should seek supervised instruction. Such personalized instruction often is available from local firearm retailers, gun clubs, or police departments. If none of these sources can help, visit nra.org or write to the following address:

National Rifle Association
11250 Waples Mill Road
Fairfax, VA 22030-7400

The person possessing a firearm has a full-time job. You cannot guess; you cannot forget. You must know how to use your firearm safely. **Do not use any firearm without having a complete understanding of its particular characteristics and safe use.** Remember: There is no such thing as a foolproof firearm.



WARNINGS OF GREAT IMPORTANCE ARE FOUND ON THE FOLLOWING PAGES:

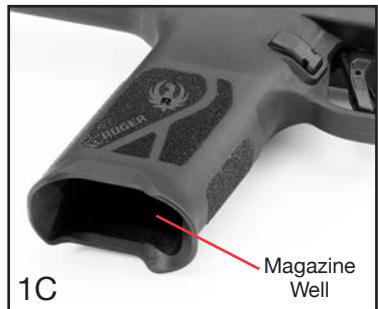
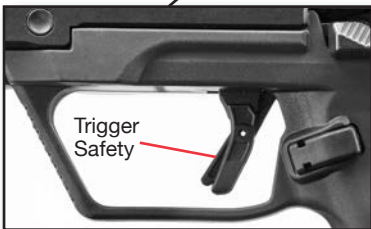
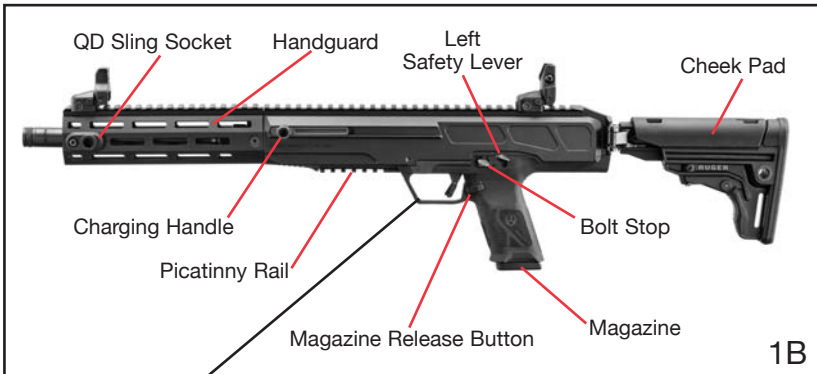
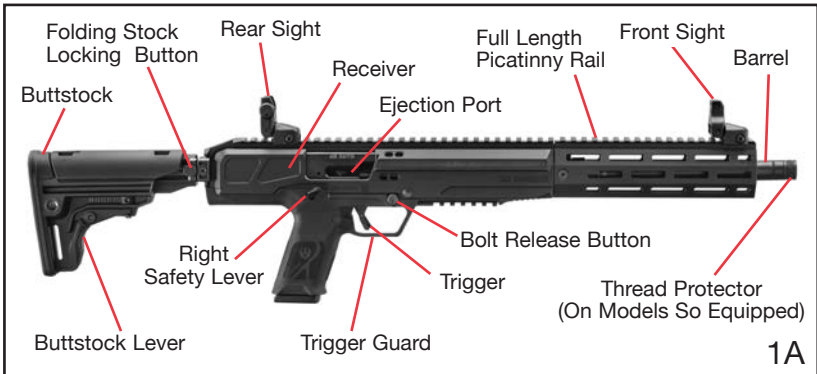
Locking Devices	8	Unloading	27
Alterations	10	Bore Obstructions	29
National Firearms Act	11	Malfunctions	31
Manual Safety	12	Disassembly	31
Jarring Firearm	14	Lubrication	53
Ammunition	20	Storage	59
Lead Exposure	20	Shipping	60
Firing	25	Parts Purchasers	61
Handling	26		

**OTHER CAUTIONS AND WARNINGS APPEAR
THROUGHOUT THE MANUAL.**

TABLE OF CONTENTS

State-By-State Warnings	2
Nomenclature	7
Locking Device Installation Instructions	8
General Information and Mechanical Characteristics	10
Operation of Manual Safety	11
Operation of Bolt Stop	13
Operation of Magazine Release	14
Reversible Charging Handle	15
Ammunition	20
Magazines	21
Dry Firing	23
To Load and Fire (With Magazine)	23
To Reload the Firearm	26
If Necessary, To Load and Fire (Without Magazine)	27
To Unload	27
To Clear a Malfunction (“Jam” or “Misfire”)	29
To Minimize Malfunctions (“Jams” or “Misfires”)	30
Disassembly	31
Grip Frame Removal	32
Bolt and Return Spring Removal	33
Handguard Removal	36
Stock Disassembly From Firearm	37
Disassemble the Buttstock From the Receiver Extension	38
Removing the Cheek Pad	38
Reassembly	39
Handguard Reassembly	39
Bolt and Return Spring Reassembly	39
Installing the Cheek Pad	42
Reassembling the Buttstock to Receiver Extension	42
Buttstock Reassembly to Receiver	43
Grip Frame to Receiver Reassembly	43
Reversible Magazine Release	45
Reversible Folding Buttstock (On Models So Equipped)	47
Buttstock Adjustment (On Models So Equipped)	49
Check Your Firearm’s Function	51
To Clean and Lubricate	52
Inspection and Maintenance	53
Picatinny Accessory Rail; M-LOK Accessory Rail; QD Sling Socket(s)	54
Sight Adjustment	55
Thread Protector and Muzzle Devices (On Models So Equipped)	57
Storage	59
Service and Parts Policy	60
Shipping Firearms for Repair	60
Ordering Parts	61
Parts Lists	62
Torque Specifications for Threaded Fasteners	64
Exploded Views	65 - 70
The Basic Rules of Safe Firearms Handling	71
Warranty Information	76

NOMENCLATURE



Figures 1A, B, C. These illustrations identify the frequently used operating components.

LOCKING DEVICE INSTALLATION INSTRUCTIONS



WARNING – USE OF LOCKING DEVICES



**Do not store keys
in lock.**

- Always keep your firearm pointed in a safe direction, including when you are installing or removing your locking device.
- Always verify that your firearm is completely **unloaded** before installing your locking device.
- Do **not** install locking devices in the trigger guard; always keep your fingers and locking device outside the trigger guard during device installation and removal.
- Store firearms, ammunition and keys separately and securely, away from children and careless adults; do **not** store your firearm with the keys in the locking device.
- Do not attempt to work the action of your firearm with the locking device in place; this may damage your firearm.
- While locking devices are an important aid to security measures, they are not a substitute for safe firearm handling and proper storage. Remember that any mechanical device can be bypassed with enough time, knowledge, determination and equipment.

**LOCKING DEVICES MUST BE
USED SAFELY AND
RESPONSIBLY**

It is important to use the locking device on your Ruger® firearm when the firearm is stored or immediate use is not planned.

Keep the muzzle pointed in a safe direction and your fingers outside the trigger guard at all times!

To Install the Factory-Supplied Locking Device:

1. Remove the magazine from your firearm. Be sure the firearm and its magazine are completely unloaded and contain no cartridges or cartridge cases!



2. Open the action completely. When the bolt is all the way back, push up on the bolt stop to keep the action open.
3. Insert the cable directly into your firearm as shown in Figure 2.
4. To lock: With the key turned to the farthest clockwise position, insert the loose end of the cable into the lock. Turn the key counterclockwise and remove it from the lock.
5. Once the lock is securely closed, pull firmly on the lock to test the connection and be sure it is locked. **Do not leave or store your firearm with the key in the lock!** Store your locked unloaded firearm and the key in secure, separate locations, away from ammunition, children, and unauthorized adults.
6. Gently pull the charging handle rearward, then slowly allow it to travel forward. Do not slam the bolt on the cable. Do not store the firearm with the bolt held open by the bolt stop.



Figure 2

Correct installation of the lock on a
RUGER® LC CARBINE™.

**FIREARMS ARE DANGEROUS WEAPONS.
READ THE INSTRUCTIONS AND WARNINGS IN THIS
MANUAL THOROUGHLY AND CAREFULLY BEFORE USE.**

 WARNING—ALTERATIONS	
	This product was designed to function properly in its original condition. Alterations can make it unsafe. Do not alter any part or add or substitute parts not made or sold by Sturm, Ruger & Co., Inc.
	DO NOT ALTER ANY FIREARM

GENERAL INFORMATION AND MECHANICAL CHARACTERISTICS

The **RUGER® LC CARBINE™** is an internal hammer-fired, magazine-fed, autoloading, blowback operated, centerfire rifle. The **RUGER® LC CARBINE™** features a Secure Action™ fire-control mechanism similar to the RUGER-5.7®, LCP® II, and SECURITY-9® pistols. Ruger's safe, reliable and proven Secure Action™ fire-control mechanism combines a protected internal hammer with a bladed trigger safety. The hammer and sear are designed to engage with significant mechanical overlap. This requires additional cocking of the hammer during trigger pull and keeps the hammer and sear securely engaged under the full force of the hammer spring. Additionally, a neutrally balanced sear and strong sear spring ensure continuous, positive engagement of the hammer. The trigger has a short, smooth pull, clean break, and positive reset. A patent-pending right side bolt release is available on some models for ergonomic reloads. The grip frame is textured to provide a secure gripping surface in a variety of conditions. The **RUGER® LC CARBINE™** features ambidextrous manual safety levers and an extended magazine release. The handguard and receiver are precision CNC machined aluminum and feature an integral Picatinny rail. The handguard also features M-Lok® slots. Integral to the receiver is a rear rail section for the attachment of aftermarket buttstocks and other accessories. The **RUGER® LC CARBINE™** also features a reversible, non-reciprocating charging handle.

The **RUGER® LC CARBINE™** utilizes a blowback design in which the barrel and two-piece bolt are held together by the recoil spring at the moment of firing. Depressing the trigger safety allows the trigger to fully travel rearward. The trigger bar transfers this movement to the sear, which rotates in contact with the hammer, compressing the hammer spring until the sear disengages and the hammer falls against the firing pin, igniting the primer. The recoiling bolt pushes down the trigger bar, disconnecting it from the sear.

As the bolt travels rearward, the rear bolt and attached extractor pull the spent cartridge case from the chamber and cock the internal hammer. As the bullet moves down the barrel and exits, the two-piece bolt moves rearward until it impacts the buffer pad.

After the bolt reaches full rearward travel, the compressed recoil spring begins to push the bolt forward. The rear bolt picks up the top cartridge from the magazine, pushing it into the chamber. Releasing the trigger allows the trigger bar to move back into position, resetting the firearm to its ready-to-fire condition.

The user of this (or any) autoloading rifle must always remember that, when fired, it automatically reloads and re-cocks itself, so simply pulling the trigger will fire the firearm again. Removing the magazine does not prevent the firearm from firing! The firearm can be fired with the magazine removed if there is a round in the chamber. Therefore, an autoloading rifle user must be particularly conscious to always keep the firearm pointed in a safe direction.

The **RUGER® LC CARBINE™**, as equipped from the factory, is not regulated by the National Firearms Act (“NFA”). However, alterations to the rifle (including removal of the stock assembly) may reclassify the rifle as an NFA-regulated firearm. For more information about the NFA, please visit ATF.gov.



WARNING – NATIONAL FIREARMS ACT

The National Firearms Act, 26 U.S.C. Chapter 53, prohibits the unauthorized making, manufacture, and possession of certain firearms, including:

- 1) A rifle having a barrel of less than 16 inches in length;
- 2) A weapon made from a rifle if such weapon as modified has an overall length of less than 26 inches or a barrel of less than 16 inches in length; and
- 3) A handgun with a secondary vertical fore-grip installed.

Unauthorized possession, making, or manufacture of any NFA-regulated firearm is a felony under the NFA and may also be illegal under state or local law.

The **RUGER® LC CARBINE™** is designed and intended to be fired from the shoulder with the buttstock unfolded. The **LC CARBINE™** should never be used without a buttstock attached or with the buttstock folded.

All users should familiarize themselves with and comply with all federal, state, and local laws and regulations regarding the possession and use of firearms.

OPERATION OF MANUAL SAFETY

The **RUGER® LC CARBINE™** is equipped with ambidextrous, external manual safety levers. The safety should be in its “safe” position at all times except as necessary for the operation and maintenance of the firearm.

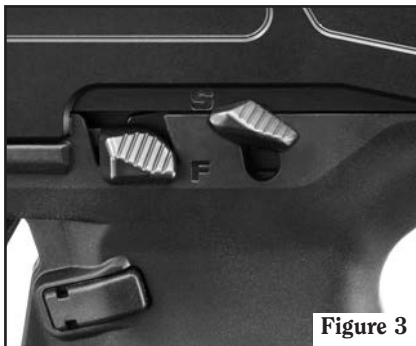
The ambidextrous manual safety may be engaged or disengaged from either the left or right side. To engage the safety, move either the right- or left-hand safety lever fully upward to the “safe” position. The safety levers will point to the “S” when the safety is engaged fully. If the safety levers are pointing elsewhere, the safety is not in the “safe” position. Do not attempt to engage the safety while pulling the trigger.

The safety mechanism locks the trigger bar, which locks the trigger. The trigger cannot be pulled with the safety on.

To disengage the manual safety, **point the firearm in a safe direction** and push either safety lever fully downward. Both safety levers should be pointing to the “F,” which signifies that the safety is disengaged and the firearm is ready to fire.

See Figures 3 and 4, below, which illustrate the two positions of the safety.

“SAFE” POSITION
(Lever Pointed Toward “S”)



“FIRE” POSITION
(Lever Pointed Toward “F”)



WARNING - MANUAL SAFETY



Placing the safety in an intermediate position between “safe” and “fire” can result in the user thinking the firearm is in a safe or fire position when it is not. Pulling the trigger with the safety in an intermediate position may cause the firearm to fire. Therefore, always move the safety fully to its intended position and then check to be sure it is where you want it to be.

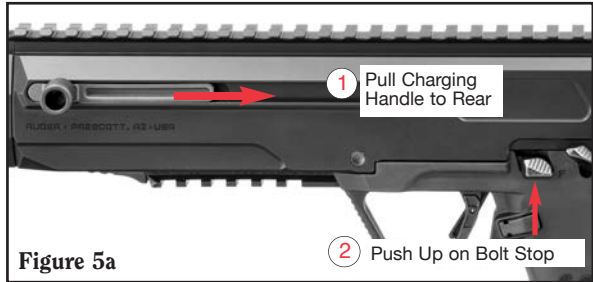
Keep the safety “ON” unless actually firing. The safety is not “ON” unless it is completely “ON.” Never depend on a safety mechanism or any other mechanical device to justify careless handling or permitting the firearm to point in an unsafe direction. The only “safe” firearm is one in which the bolt is open, the chamber is empty, and there is no magazine in the firearm.

KNOW HOW TO USE THE SAFETY

Additional safety features include: an integrated trigger safety to block the trigger unless it is intentionally pulled; a neutrally balanced sear with significant engagement and strong spring tension; and a hammer catch to help prevent the hammer from contacting the firing pin unless the trigger is pulled.

OPERATION OF BOLT STOP

When the last shot has been fired and the magazine is empty, the bolt stop automatically holds the bolt open. Similarly, fully retracting the bolt manually when there is an empty magazine in the firearm will hold the bolt open. To lock the bolt to the rear when there is a loaded magazine inserted in the firearm, or no magazine in the firearm, first point the firearm in a safe direction then fully retract the bolt using the charging handle with the non-firing hand while pushing up on the bottom of the bolt stop with the firing hand (see Figure 5a). If a round was chambered, it should extract and eject as you retract the bolt manually. Once the bolt is locked back, visually inspect the chamber to ensure it is empty. The non-reciprocating charging handle can be returned to the forward position.



To release the bolt, remove the empty magazine and use any of these three methods: (1) press inward on the bolt release button on the right side of the receiver (see Figure 5c); (2) press downward on the bolt stop on the left side (see Figure 5b); or (3) pull the bolt back using the charging handle with the non-firing hand and let it go (see Figure 5a). If a loaded magazine is inserted, pulling the bolt back with the charging handle and letting it go (or depressing the bolt stop), will chamber a round. Keep your fingers away from the trigger and ejection port, and keep the muzzle pointed in a safe direction.



DO NOT attempt to control the charging handle while chambering a round. This may result in the round not chambering properly.

A push button bolt release is located on the right hand side of the receiver in front of the trigger guard. With the firearm's bolt locked back and a loaded magazine in the firearm, press the right-side bolt release button to release the bolt and chamber a round.



CAUTION: Do not insert fingers into the firearm action unless the lever of the bolt catch is held firmly upward by the support hand or the charging handle is held firmly rearward by the support hand.



WARNING – JARRING FIREARM CAN RELEASE BOLT AND CHAMBER A ROUND

The bolt stop is NOT a safety device. It should not be used to hold the bolt back when there are cartridges in the magazine. A slight jar to the butt end of the firearm CAN cause the bolt stop to disengage and feed a cartridge into the chamber. The bolt stop should only be relied upon to hold the bolt in its rearward position when the chamber is empty and an empty magazine is in place. The bolt stop is there for convenience when changing magazines and to hold the bolt in its rearward position when the firearm is unloaded for cleaning or inspection.

OPERATION OF MAGAZINE RELEASE

When a magazine is fully inserted into the magazine well, it is automatically held in place by the spring-loaded magazine catch. The magazine release is the button to the rear of the trigger guard. When depressed, the magazine release will permit removal of the magazine from the firearm. Under normal conditions, the magazine will fall free of the firearm when the magazine release is depressed. To avoid damage and debris entering the magazine, do not let it fall to the ground. In the event the magazine becomes stuck in the magazine well, it can be manually extracted by pressing the magazine release while pulling on the magazine base pad (see Figure 6).



WARNING: Removing the magazine does not prevent the firearm from firing. The firearm can be fired with the magazine removed if there is a cartridge in the chamber. Therefore, an autoloading rifle user must be particularly conscious to always keep the firearm pointed in a safe direction and keep fingers out of the trigger guard and away from the trigger when not firing.

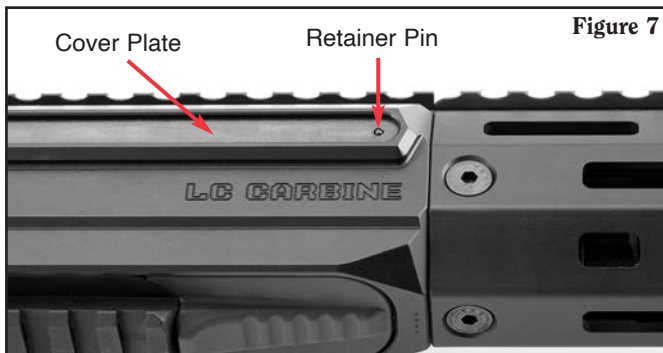
REVERSIBLE CHARGING HANDLE

The charging handle of the **RUGER® LC CARBINE™** can be configured for either left- or right-handed operation.

To reverse the charging handle:

1. **CAUTION: Wear eye protection.** Use a non-marring tool such as a 5/64" (.078") punch. Masking the surrounding surfaces with masking tape is recommended to help prevent scratching. Depress the tip of the retainer pin (see Figure 7) fully using the tip of the tool.

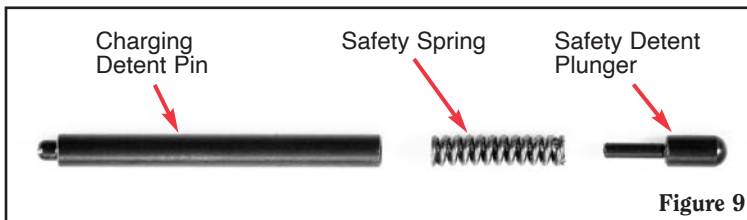
WARNING: There are spring-loaded parts in this assembly that may fly out if unconstrained.



2. Cup one hand over the front of the cover plate (see Figure 8a), then pull the cover plate rearward with the other hand (see Figure 8b). **NOTE:** The spring-loaded retainer pin will pop out and should be captured by hand.



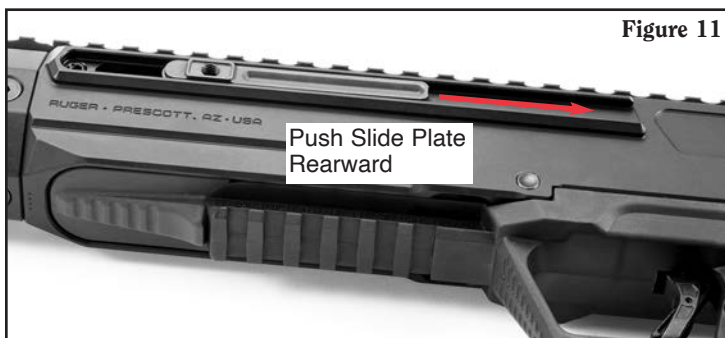
3. With the cover plate removed, you will be able to tilt the firearm over and allow the contents to fall free. These include the charging detent pin, safety spring, and a safety detent plunger (see Figure 9). If stuck, they can be gently pushed out from the opposite side with a small punch or hex wrench. Set these aside in a secure place for reuse. Slide the cover plate all the way off.



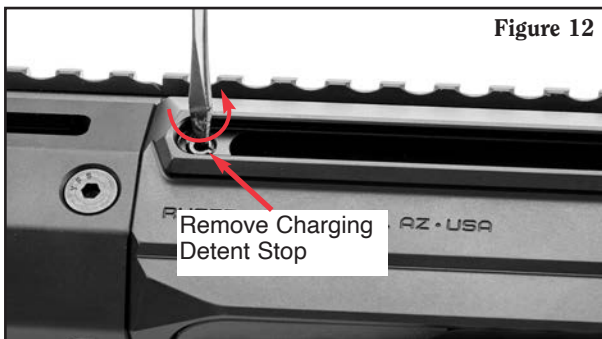
4. Reach through the charging handle with a 1/8" hex wrench and unscrew the charging handle screw (see Figure 10). **NOTE:** If extra leverage is needed, a socket screwdriver or pliers may be used on the leg of the hex wrench. Set the charging handle and screw aside.



5. Push the slide plate rearward and out of its track in the side of the receiver (see Figure 11).



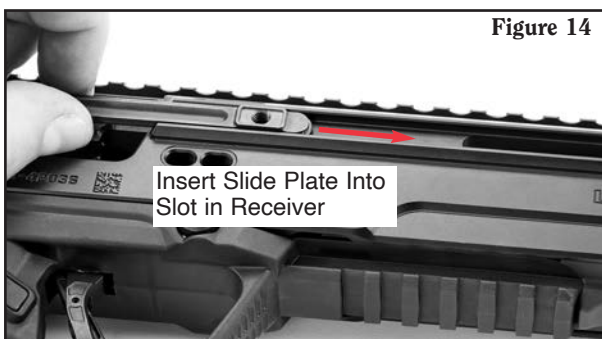
- Using a small flathead screwdriver, remove the charging detent stop by turning it counterclockwise. (See Figure 12.)



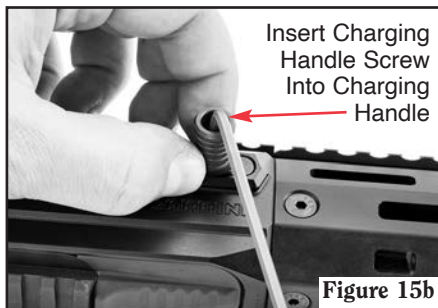
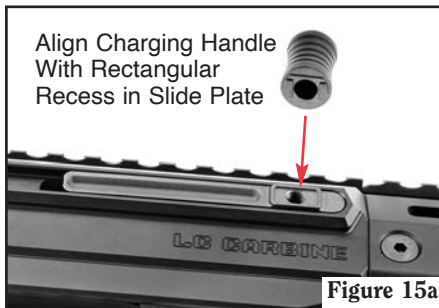
- Flip the firearm over. Using a small flathead screwdriver, install the charging detent stop by turning it clockwise (see Figure 13). Torque the detent stop to 5-7 in-lb.



- Insert the slide plate into the slot of the receiver (see Figure 14) on the desired side.

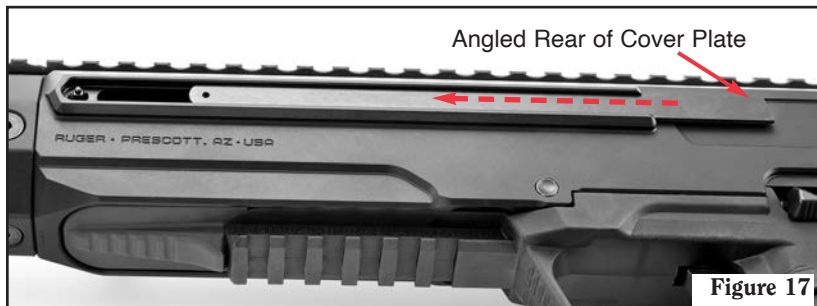
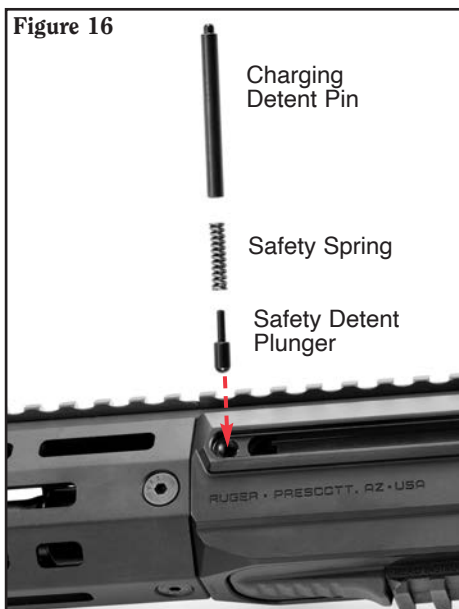


9. **NOTE:** Ensure the slide plate is in the forward position when installing the charging handle screw. Place the charging handle over the hole in the side plate and align it with the rectangular recess (see Figure 15a). While holding the charging handle in place, insert the charging handle screw (see Figure 15b). Tighten the screw to 20-25 in-lb.



10. Flip the firearm over. Insert the safety detent plunger, safety spring, and then the charging detent pin into the hole in the receiver (see Figure 16).

Slide the cover plate through the slots on side of the receiver (see Figure 17). Be sure that the angled rear of the cover plate lines up with the angle at the rear of the track.



11. Using a punch or small hex wrench, press down on the pin in the hole of the receiver. **WARNING: The spring-loaded pin is under heavy spring pressure.** As you compress the pin, slide the cover plate forward until the charging detent pin snaps into the retention hole of the cover plate. (See Figures 18a & 18b.)

NOTE: Some slight marring may occur as shown, forward of the pin. This is normal wear.






AMMUNITION

Be certain to use the correct cartridge for your firearm. Do not attempt to load any other cartridges into the magazine or chamber of the firearm other than what is specified.



The **RUGER® LC CARBINE™** is compatible with newly loaded factory ammunition conforming to SAAMI or C.I.P. standard dimensions and pressures for 45 AUTO (also know as “45 ACP”) ammunition. This firearm is also rated for 45 AUTO +P ammunition that conforms to SAAMI standards.

No Aluminum cased ammunition should ever be used in this firearm. Use of aluminum cased ammunition can result in firearm damage and/or serious injury. The use of non-conforming, reloaded, or specialty ammunition may reduce reliability or cause damage or injury.

 WARNING – AMMUNITION	
	Use only new, factory ammunition of the correct caliber. Death, serious injury, and damage can result from the wrong ammunition, bore obstructions, powder overloads or incorrect cartridge components. <u>Always wear shooting glasses and hearing protection.</u>
	 IMPROPER AMMUNITION DESTROYS FIREARMS

AMMUNITION (CARTRIDGES) NOTICE

WE SPECIFICALLY DISCLAIM RESPONSIBILITY FOR ANY DAMAGE OR INJURY WHATSOEVER OCCURRING IN CONNECTION WITH, OR AS A RESULT OF, THE USE IN ANY RUGER FIREARMS OF FAULTY, OR NON-STANDARD, OR “REMANUFACTURED” OR HAND-LOADED (RELOADED) AMMUNITION, OR OF CARTRIDGES OTHER THAN THOSE FOR WHICH THE FIREARM WAS ORIGINALLY CHAMBERED.

 WARNING – LEAD EXPOSURE	
	Discharging firearms in poorly ventilated areas, cleaning firearms, or handling ammunition may result in exposure to lead and other substances known to the State of California to cause birth defects, reproductive harm, and other serious physical injury. Have adequate ventilation at all times. Wash hands thoroughly after exposure.
	SHOOTING OR CLEANING FIREARMS MAY EXPOSE YOU TO LEAD

MAGAZINES

This firearm is designed to accept full-size, 45 Auto Glock® 21™ and 41™ magazines.

Some aftermarket magazines may not provide acceptable performance (magazines with steel feed lips are strongly preferred). We therefore recommend using GENUINE RUGER® FACTORY magazines designed for your firearm or genuine, full-size, 45 Auto Glock® magazines.

Magazine loading tools are available separately to assist with seating cartridges in the magazine, as resistance from the magazine spring can be substantial.

NOTE: Some Glock®-style magazines do not have dual magazine catch interfaces for use with the reversible magazine catch. When using the **LC CARBINE™** with the magazine catch button on the right side (usually preferred by left-handed shooters), a magazine with dual magazine catch interfaces is required. Older magazines that lack dual magazine catch interfaces still work when the magazine catch button is installed on the left side (typical for right-handed shooters). GENUINE RUGER® FACTORY magazines have dual magazine catch interfaces that are compatible with the reversible magazine catch in both left- and right-handed configurations.

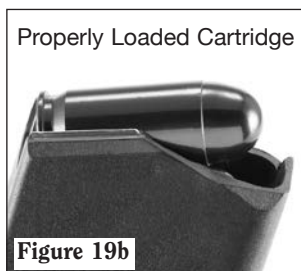
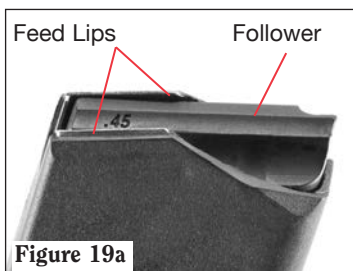
To load the magazine by hand:

Grip the magazine firmly in your support hand, with its base on a stable work surface.

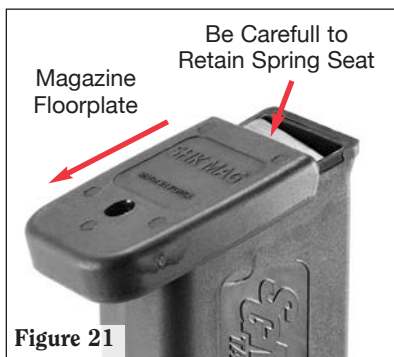
Using your strong hand, press the follower downward with the base of the first cartridge casing, then slide the cartridge rearward under the feed lips.

For subsequent rounds, begin by compressing the top round into the magazine with the thumb of your support hand. This will assist with loading the next round using your strong hand. Using your strong hand, press the top cartridge in the magazine downward with the base of the next cartridge casing, then slide the next cartridge rearward under the feed lips. (See Figure 19a.)

Repeat until the magazine is full. Do not load any magazine beyond its rated capacity – this may cause malfunctions.



If the magazine becomes dirty, it should be disassembled and thoroughly cleaned. Be sure the magazine is unloaded before disassembly. Use a punch to press in on the magazine spring seat (see Figure 20). Press firmly inward on both sides of the magazine body, near its base, and slide the magazine floorplate toward the front of the magazine. **CAUTION: The magazine spring is under heavy spring pressure.** Be careful to prevent the forcible ejection of the magazine spring seat and compressed magazine spring by retaining them with your hand while removing the floorplate (see Figure 21). Withdraw the magazine spring seat, magazine spring, and magazine follower from the magazine body.



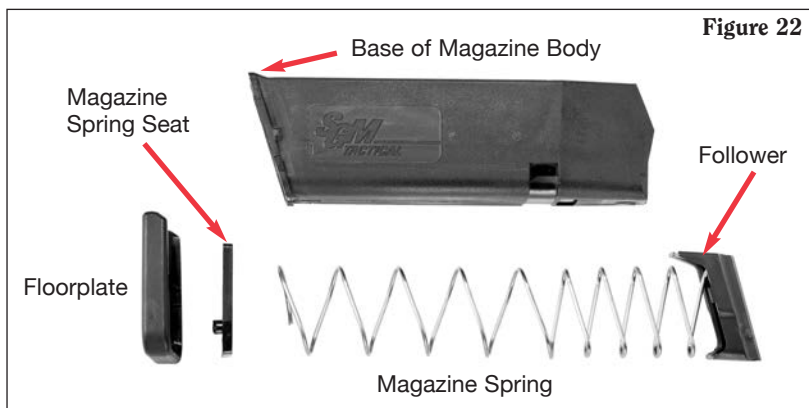
NOTE: A purpose-built pistol magazine cleaning brush is highly recommended.

Clean all magazine components with a brush or rag to remove residue. You may use a suitable solvent that will not rust the metal components or adversely affect the magazine body. After cleaning, remove all excess solvent from the magazine components. It is not necessary to lubricate the magazine.

WARNING: Penetrating oils and solvents inside a magazine can “kill” or weaken cartridge primers or powder which can result in failures to fire or other possibly dangerous malfunctions, such as leaving a bullet in the bore!

Reassemble the magazine in the reverse order, making sure that the magazine spring and follower are oriented correctly. (See Figure 22.)

Insert the magazine spring with the magazine spring seat parallel to the base of the magazine body and slide the magazine floorplate onto the base of the magazine until the spring seat rests in the hole of the floorplate.



DAMAGED, NON-STANDARD OR IMPROPERLY ASSEMBLED MAGAZINES SHOULD NOT BE USED. THEY CAN CAUSE THE FIREARM TO MALFUNCTION.

After cleaning and reassembling the magazine, always check to be certain that the magazine follower moves freely and forcefully to the top of the magazine and that no solvent or debris remain. Improper reassembly of the magazine can cause malfunctions.

DRY FIRING

Going through the actions of cocking, aiming, and pulling the trigger on an unloaded firearm is known as “dry firing.” It can be useful to learn the “feel” of your firearm. Be certain that the firearm is fully unloaded (both the chamber and magazine are empty) and that it is pointing in a safe direction when you are practicing dry firing. **NOTE:** A magazine is not required to dry fire the **LC CARBINE™**. The **RUGER® LC CARBINE™** can be dry fired without damaging the firing pin or other components.

The firearm should never be dry fired while disassembled. This could result in damage to the firearm.

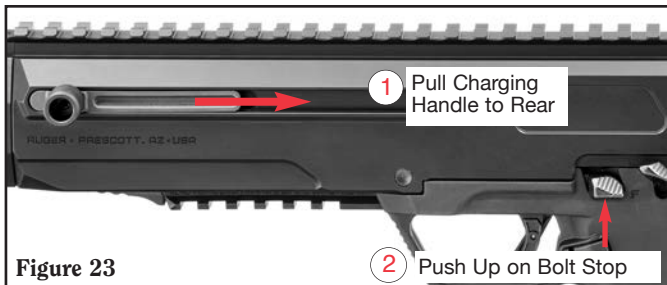
NOTE: When dry firing the **RUGER® LC CARBINE™**, the trigger mechanism will not reset unless the bolt is retracted approximately 1”.

TO LOAD AND FIRE (WITH MAGAZINE)

Practice this important aspect of firearm handling (with an unloaded firearm) until you can perform each of the steps – described below – with skill and confidence. But before you do anything with the firearm, please first read completely through this manual. **Keep your finger off the trigger until you are ready to immediately shoot at a target!**

Before each firing session, visually inspect the firearm and its magazine to ensure no components are damaged, missing, loose, bent, cracked, chipped, or peened. Ensure the firearm is free of dirt, dust, sand, lint, or environmental debris. The firearm should be clean and lightly lubricated in accordance with the instructions (see p. 52). You should also perform a function check (see p. 51) on the unloaded firearm to ensure it operates properly and that all safety devices are in proper working order.

1. Be certain the muzzle is pointed in a safe direction and the safety lever is in the upward “safe” position. Keep your finger off the trigger until you are ready to immediately shoot at a target! Ensure your target lies in a safe direction with adequate backstop beyond it. (See “The Basic Rules of Safe Firearms Handling,” p. 71.)
2. Pull the charging handle fully to the rear until the bolt stops and lock it open by pushing upward on the bolt stop (see Figure 23).



3. Insert a loaded magazine into the grip frame, taking care that the magazine is locked in place by the magazine catch.
4. Hold the firearm firmly in the shooting hand with your fingers away from the trigger. **Keep the firearm pointed in a safe direction.** To release the bolt and chamber a cartridge, use any of the following methods: (1) press in on the right side bolt release button (see Figure 24a); (2) press down on the left side bolt stop (see Figure 24b); or, (3) pull the bolt back using the charging handle with the non-firing hand and let it go forward (see Figure 24c).

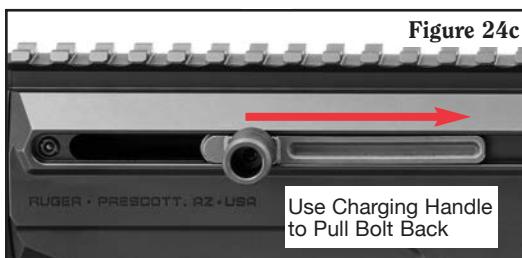
DO NOT attempt to control the charging handle while chambering a round. This may result in the round not chambering properly.




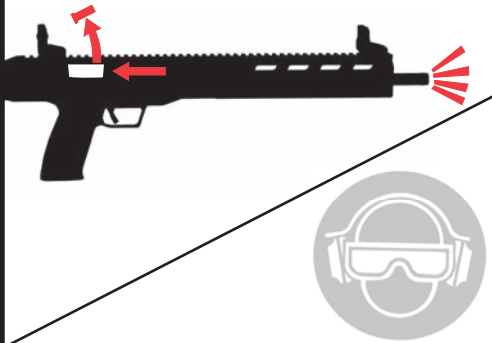
OR



OR



The firearm is now loaded. If the firearm is not to be fired immediately, the safety should remain in the “safe” position.

 WARNING – FIRING	
	<p>The bolt automatically opens and shuts quickly while firing. Keep face and hands away from it. Hot brass and powder gas are ejected quickly and can burn you. The firearm should be fired from the shoulder. Always wear shooting glasses and hearing protection.</p>
BOLT OPENS FAST – HOT BRASS EJECTED	

5. Keeping your firearm pointed downrange, bring the firearm to your shoulder and, using the sights, take aim at your target. Move the safety lever to the downward (“fire”) position. The first shot can be fired by pulling the trigger all the way to the rear. Subsequent shots are fired one at a time by repeated pulling of the trigger until the magazine is empty.
6. At any time, if the firearm is not being fired, keep it pointed in a safe direction (downrange) and place the safety lever in the upward (“safe”) position.
7. When the last cartridge in the magazine has been fired, the empty magazine will activate the bolt stop and hold the bolt open. If the bolt is shut, the shooter should always assume that there is a cartridge in the chamber!

DO NOT rely on your memory or the word of others to know if a firearm or magazine is loaded. With the firearm pointed in a safe direction, visually inspect the magazine and chamber.

NOTE on Chamber Checks: Hold the firearm at an angle where you can clearly see the chamber in the rear of the barrel. Pull back the charging handle around 1 inch. Check the breechface and inside the chamber for a casing.

NOTE: If inserting a full magazine against a closed bolt, it will likely be necessary to apply extra force to compress the cartridge column and seat the magazine on the magazine catch. This can be done either by pressing the magazine base firmly inward until a “click” is heard, or firmly striking the magazine base with the heel of the support hand. Then, give the magazine base a light tug to check for proper engagement. Failure to do so may cause the magazine to fall out while firing. Magazines can also be made easier to seat in this manner by loading one round less than the maximum capacity.



WARNING – HANDLING



If dropped or struck, the firearm may fire. Keep chamber empty unless actually firing! Keep safety “ON” unless actually firing!

**ANY FIREARM
MAY FIRE IF
DROPPED**

TO RELOAD THE FIREARM


1. Firing all cartridges in the magazine and the chamber will cause the bolt to automatically lock open. **Keep the firearm pointed in a safe direction.** Engage the safety by moving the safety lever upward so that the levers are pointing to the “S” on either side of the receiver. Press the magazine release button inward. The magazine will fall free of the firearm. To avoid damage and debris entering the magazine, do not let it fall to the ground.
2. Insert a loaded magazine. **WARNING: When there is a loaded magazine in place and the firearm is jarred, the bolt can fly forward and chamber a cartridge. For this reason and as an essential safety practice, the firearm should always be pointed in a safe direction with fingers away from the trigger.**
3. Release the bolt using any of the following methods: (1) press in on the right side bolt release button (see Figure 24a, p. 24); (2) press down on the left side bolt stop (see Figure 24b, p. 24); or (3) pull the bolt back using the charging handle with the non-firing hand and let it go forward (see Figure 24c, p. 24). A cartridge will be chambered when the bolt shuts. **DO NOT attempt to control the charging handle while chambering a round. This may result in the round not chambering properly.**
The firearm is now loaded. If the firearm is not to be fired immediately, the safety should remain in the “safe” position.
4. When you are finished firing the firearm, unload it completely (see “To Unload” p. 27).

IF NECESSARY, TO LOAD AND FIRE (WITHOUT MAGAZINE)

The **LC CARBINE™** can be used in a single-shot mode in the absence of a magazine. To do so, place the firearm on safe, remove the magazine, and lock the bolt to the rear. Next, carefully place a single cartridge into the chamber. The chamber can be accessed through the ejection port. **Point the firearm in a safe direction.** Release the bolt using any of the following methods: (1) press in on the right side bolt release button (see Figure 24a, p. 24); (2) press down on the left side bolt stop (see Figure 24b, p. 24); or (3) pull the bolt back using the charging handle with the non-firing hand and let it go forward (see Figure 24c, p. 24). This will cause the bolt to be released and move fully forward. The firearm is now loaded. **DO NOT attempt to control the charging handle while chambering a round. This may result in the round not chambering properly.**

CAUTION: The bolt is under heavy spring tension and can injure fingers if it were to slam shut! It is recommended to press firmly up on the bolt stop (on the left side of the firearm) to prevent this whenever fingers are inside the action.

If the firearm is not to be fired immediately, the safety should remain in the “safe” position. Firing the firearm will cock the hammer although, without a magazine, the bolt will not remain open after the single round is fired.

 WARNING – UNLOADING	
	<p>Removing the magazine DOES NOT unload the firearm and DOES NOT prevent the firearm from firing if a round is in the chamber!</p> <p>Always keep the firearm pointed in a safe direction and the safety “ON” when loading or unloading.</p> <p>To completely unload the firearm, first remove the magazine, then pull the bolt to the rear, eject the chambered cartridge, and visually inspect the chamber to confirm it is empty.</p>
	FIREARM WILL FIRE WITH MAGAZINE OUT

TO UNLOAD

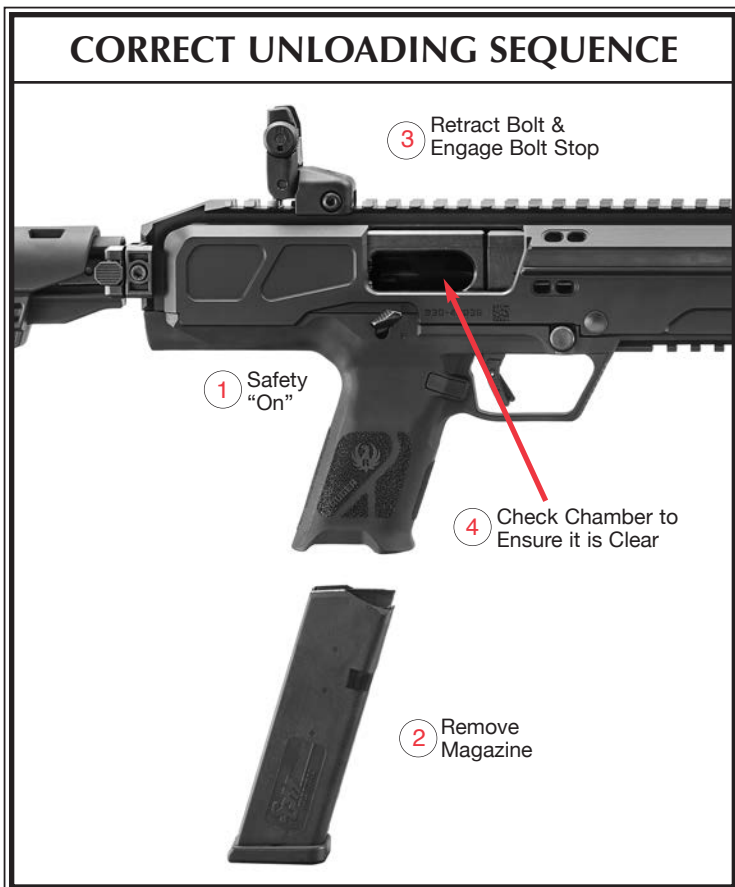
(Firearm Must Be Kept Pointed In A Safe Direction)

UNLOAD THE FIREARM IMMEDIATELY WHEN YOU ARE FINISHED SHOOTING!

NOTE: This sequence must be followed exactly. Failure to do so can result in the firearm’s chamber becoming unintentionally loaded with a cartridge!

1. Keep the muzzle pointed in a safe direction at all times and keep fingers outside the trigger guard. Move the safety to the “safe” position.
2. Remove the magazine. If an empty magazine is in the firearm when a cartridge is extracted from the chamber, it may be ejected into the magazine area instead of outside the firearm. **Remember that even though the magazine has been removed, a cartridge remaining in the chamber can still be fired!**
3. Using the charging handle, vigorously retract the bolt to its open position to extract the chambered cartridge and hold it in place by pressing the bolt stop up at the same time(see p. 13).

4. Always visually double check the chamber to be certain it is empty. Hold the firearm at an angle where you can clearly see the chamber in the rear off the barrel.
NOTE: If you cannot clearly see the chamber with the bolt fully retracted, you can manually control the bolt and ease it forward slightly to get a better view of the chamber. Then, fully retract the bolt once more to lock it open with the bolt stop.
5. The only “safe” firearm is one in which the bolt is open, the chamber is empty, and there is no magazine in the firearm.
6. At this point, you may insert the cable lock for storage.
7. Cartridges can be removed from the magazine by sliding each cartridge forward and out of the magazine, one at a time, until the magazine is empty. While some magazine loaders offer a tool to aid unloading, one should never use a loaded cartridge or other random item as a ‘tool’ to strip cartridges from the magazine.





WARNING – BORE OBSTRUCTIONS



Before loading or shooting your **LC GARBINE™**, be certain the bore is unobstructed. *Firing the firearm with any obstruction in the bore may result in severe damage to the firearm and serious injury to the shooter and other persons nearby.*

A MISFIRE or unusual report (sound) upon firing is always a signal to cease firing immediately. After waiting for one minute, remove the magazine, lock the bolt open, and ensure that the chamber is empty. It is not sufficient to only examine the chamber in these instances. You must be certain the bore is free from obstructions. In some firearms, it will not be possible to easily make a determination by simply looking. In such cases, you should use a rod to confirm the bore is free of obstructions. Failure to detect and correctly remove a bore obstruction can result in serious injury to the shooter and bystanders, and damage to the firearms.

**DO NOT “SHOOT OUT”
A BORE OBSTRUCTION**

TO CLEAR A MALFUNCTION (“JAM” or “MISFIRE”)

Any autoloading firearm may occasionally malfunction. If it does:

1. Be certain the muzzle is pointed in a safe direction and the safety is on “safe” at all times. Be certain bystanders are not close and that you are wearing eye and hearing protection and that your face is a safe distance from the firearm so that any discharge resulting from a jammed cartridge will not injure anyone.
2. If the misfire is the result of a cartridge not firing or unusual report (either louder or quieter than normal), keep the firearm pointed in a safe direction for one minute. Then, remove the magazine, retract the bolt to remove the cartridge from the chamber, and lock the bolt to the rear. Inspect the cartridge to determine if it had been fired or struck by the firing pin.
3. If you suspect a bullet or other obstruction may be lodged in the bore, first unload the firearm completely then, using a cleaning rod, inspect the bore for a bore obstruction. Bore obstructions must be removed from breech to muzzle using a properly sized cleaning rod and reasonable force. The interior and exterior of the barrel must be inspected for damage afterward. **Failure to detect and correctly remove a bore obstruction can result in serious injury.**

4. In the event of a fired or unfired cartridge is stuck in the ejection port area, (failure to feed or eject) first, if possible, remove the magazine.
 - a. Use extreme care if the magazine is held in place by a partially chambered cartridge.
 - b. Keep your face away from the ejection port during this operation.
 - c. Use only wooden 'tools' so that a cartridge will not be ignited if you strike a primer, and so that the chamber and magazine will not be damaged. A 3/16" wood dowel rod with a point on one end is useful.
5. In the event a fired or unfired cartridge is stuck in the chamber (failure to extract) first, if possible, remove the magazine and draw the bolt vigorously to the rear several times to bring the jammed cartridge along. If not, hold the bolt open with the bolt stop and, using only wooden tools, attempt to free the cartridge. Never use a cleaning rod to push out an unfired cartridge.
6. Safely dispose of any cartridges involved in a malfunction incident. Do not use damaged ammunition in any firearm.
7. If the malfunction cannot be corrected, contact a gunsmith or Ruger Customer Service (see p. 60).

TO MINIMIZE MALFUNCTIONS ("JAMS" or "MISFIRES")

Most malfunctions are caused by improper or damaged magazines, ammunition, improper firearm handling, or poor maintenance.

1. Clean and inspect the magazines according to the instructions on pp. 21 - 22.
2. Use only correct factory loaded ammunition. If problems persist, try changing to another type or brand of ammunition of the proper caliber. When using any autoloading firearm, form the habit of examining fired cartridge cases. If they frequently show splits or bulges on any part of the case, cease using that type of ammunition and try a different type of the same caliber. If the problem persists, contact Ruger Customer Service (see p. 60).
3. Clean and lubricate the firearm according to the instructions on p. 52. Pay particular attention to the bolt, extractor, chamber, and feed ramp. (See the "To Clean and Lubricate" section p. 52 for detailed cleaning instructions).
4. Remove excess oil and solvent from all cleaned components, load the magazine, and try the firearm again. As always, proceed slowly. If the above procedures do not result in a smooth and reliably functioning firearm, cease using the firearm and contact Ruger Customer Service. See the Service and Parts Policy section p. 60 of this manual.



WARNING – MALFUNCTIONS



Any jam or feeding problem is a signal to immediately stop using the firearm until it can be determined what is wrong. Most failures of a cartridge to feed or to chamber are caused by improper or damaged magazines, ammunition, improper firearm handling, or poor maintenance.

Whatever the cause, cartridge jams can result in the potentially dangerous situation of a cartridge discharging before it is chambered. If this occurs, the cartridge case will rupture and its fragments will fly out of the firearm with sufficient force to cause injury. Always wear shooting glasses and hearing protectors! Keep face away from chamber!

**STOP USING YOUR
FIREARM IMMEDIATELY**

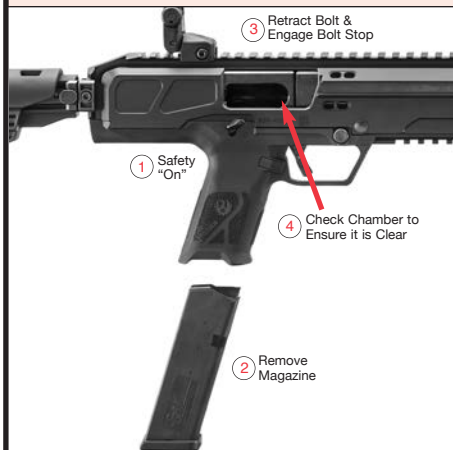
DISASSEMBLY

Make Sure Firearm Is Unloaded!

An online video demonstrating the disassembly and reassembly of the **RUGER® LC CARBINE™** can be viewed by going to Ruger.com/TechTips.



WARNING – DISASSEMBLY



Always unload a firearm before cleaning, lubrication, disassembly, or assembly.

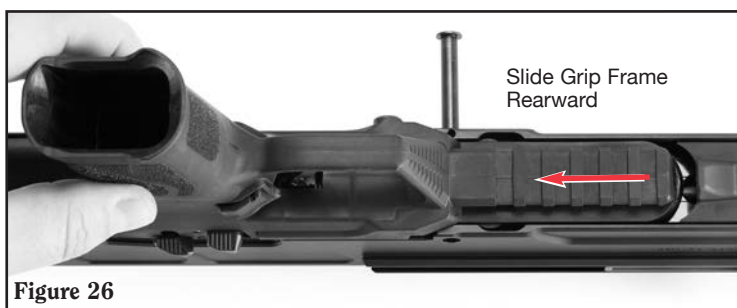
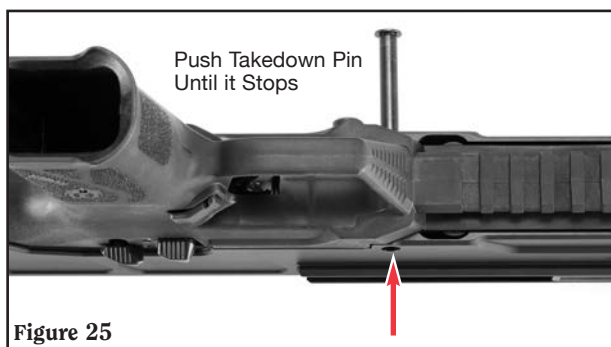
**UNLOAD BEFORE
DISASSEMBLY**

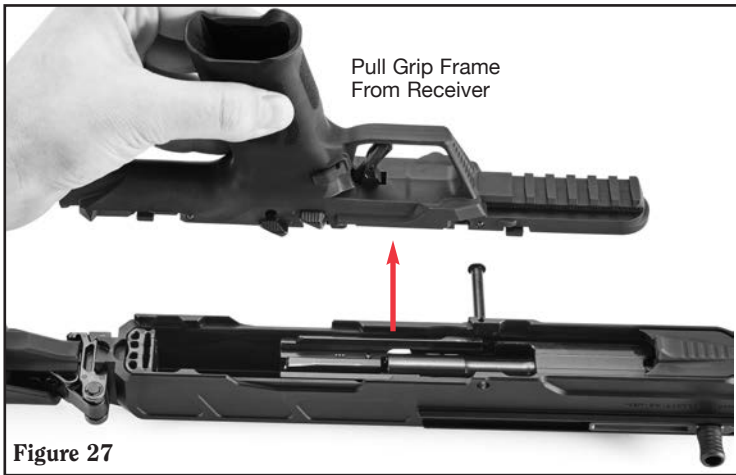
Grip Frame Removal:

NOTE: After ensuring your **LC CARBINE™** is unloaded (see pages 26 - 27), be sure the bolt is in the forward position, and the firearm is on “SAFE” before removing the grip frame. See “Operation of Bolt Stop,” p. 13.

NOTE: Some aftermarket buttstocks lack sufficient clearance to permit ready removal of the grip frame assembly. Ruger does not recommend use of such buttstocks. See “Warning – National Firearms Act” (p. 11).

1. Using a punch or similar tool, push the captive takedown pin from the left side of the receiver until it stops. (See Figure 25.)
2. With the muzzle pointed in a safe direction and keeping your fingers clear of the trigger guard, securely grasp the handguard and pull rearward on the grip.
3. Slide the grip frame assembly rearward, and off of the receiver assembly. (See Figures 26 - 27.)



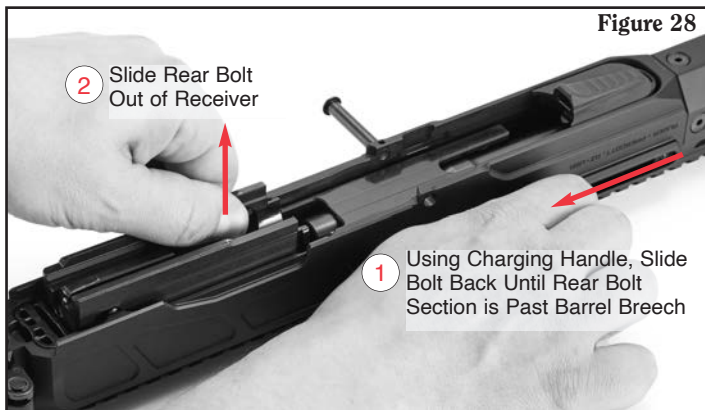


Bolt and Return Spring Removal:

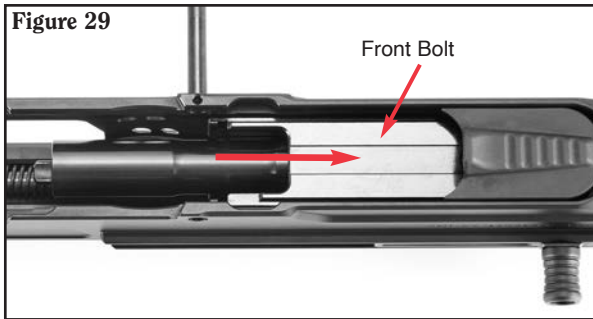
1. With the receiver assembly upside down, slide the two piece bolt all the way rearward with the charging handle so the rear bolt is past the breech of the barrel. (See Figure 28, step 1.)

CAUTION: Hold the charging handle all the way to the rear to avoid pinching your fingers while removing the rear bolt. The bolt is under heavy spring tension while retracted.

2. Slide the rear bolt straight out of the main receiver cavity. (See Figure 28, step 2.)



3. Slowly, with the charging handle, allow the front bolt to slide forward. (See Figure 29.)



4. Tilt the buffer pad forward to get your finger behind it. (See Figure 30.) While putting pressure towards the front of the firearm, pull the buffer pad up and out of the firearm. (See Figure 31.) The recoil spring and guide rod assembly will come with it.

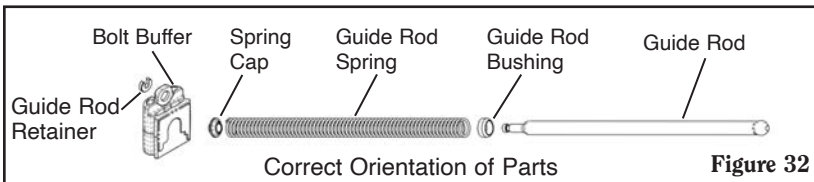


NOTE: Be careful not to pull the buffer pad off the guide rod as the spring is under compression. In the event they should come apart, reassemble as follows:

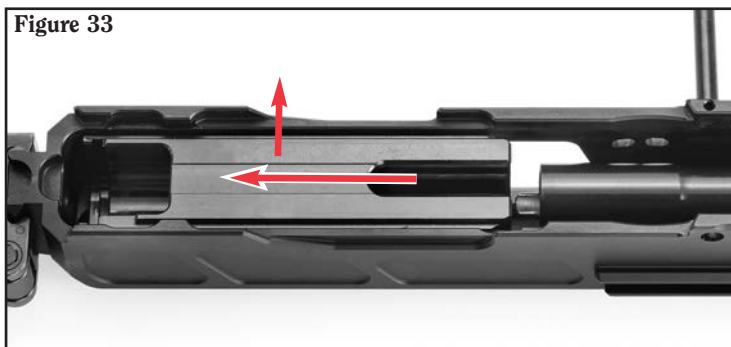
To Reassemble Buffer/Guide Rod Assembly:

Wear eye protection.

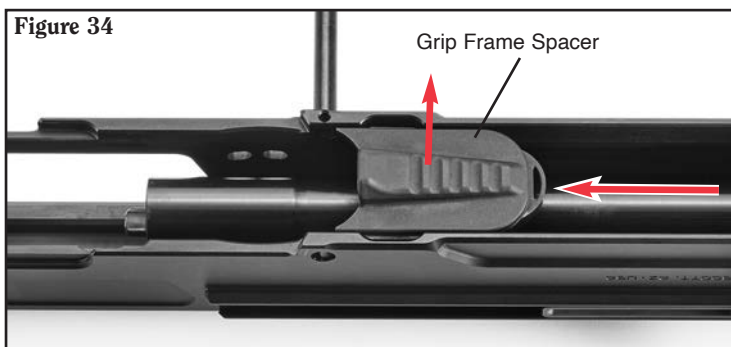
Carefully review the diagram in Figure 32. Install the guide rod bushing on the guide rod, with the conical portion pointing forward. Then, install the guide rod spring. Press the tip of the guide rod firmly against a stable, hard surface and compress the guide rod spring, gripping its rearmost outside diameter firmly with one hand. Place the spring cap onto the spring with its conical portion pointing forward. Place the bolt buffer over this, with the flat impact face pointing forward. Install the guide rod retainer into the groove on the guide rod, and then gently release the guide rod spring. Check visually for proper orientation and fitment of the parts.



5. Slide the front bolt back past the breech of the barrel and pull it out of the receiver cavity. (See Figure 33.)

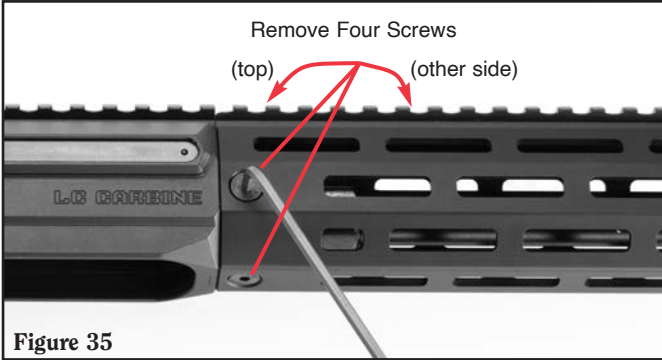


6. Pull the grip frame spacer rearward, then up and out to remove it. (See Figure 34.)

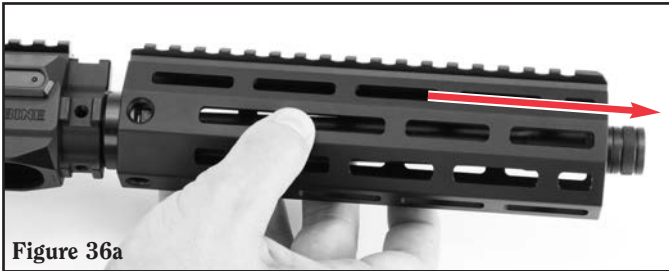


Handguard Removal:

1. Using a 1/8" hex wrench, remove the four screws (shooter's right, left, top, and bottom) from the rear of the handguard. (See Figure 35.)



2. Slide the handguard forward and off the front of the receiver. (See Figure 36a.) Be careful not to allow the handguard to contact, scratch, or otherwise damage the barrel. Figure 36b shows the handguard removed. Be careful to retain the screws for reassembly.



Stock Disassembly From Firearm:

WARNING: Always remove the grip frame prior to removing or swapping buttstock assemblies. (See “Warning – National Firearms Act” p. 11)

1. Using a 9/64” hex wrench, loosen the hinge attachment bolt until the hinge clamp can slide over the edge of the rear Picatinny rail section. (See Figure 37.)



2. Remove the buttstock assembly from the receiver. (See Figure 38.)



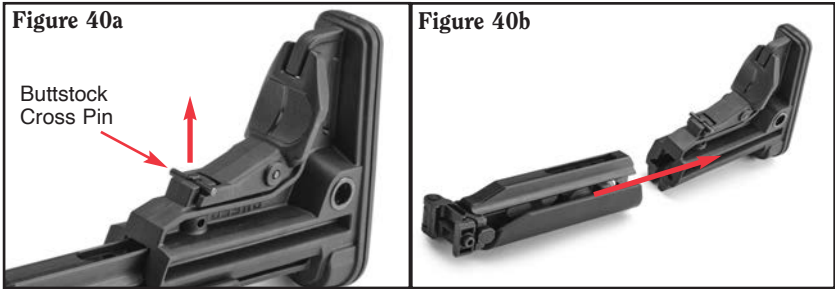
NOTE: When the buttstock is removed, an access hole has been provided at the rear of the receiver to allow convenient access to the bore with a cleaning rod. (See Figure 39.)



Disassemble the Buttstock From the Receiver Extension:

1. Use the buttstock lever to fully extend the buttstock. With the buttstock positioned as shown in Figure 40a, firmly hold the receiver extension/buttstock in place. Using a non-marring tool, pull or pry up on the buttstock cross pin to disengage the buttstock detent pin from the receiver extension assembly (see Figure 40a). With the detent pin disengaged, slide the buttstock off the receiver extension. (See Figure 40b.)

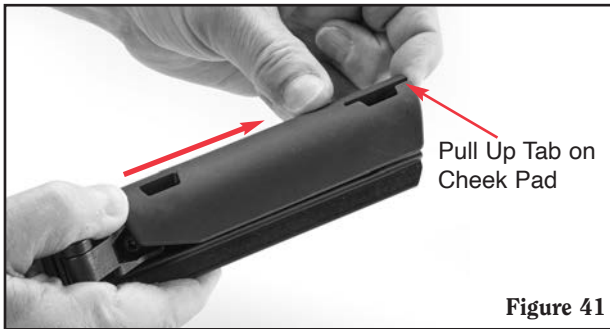
NOTE: The buttstock detent pin is under heavy spring pressure.



Removing the Cheek Pad:

NOTE: The buttstock must be removed from the receiver extension to remove the cheek pad from the receiver extension.

1. Pull up on the tab on rear of the cheek pad and slide it rearward off the receiver extension. (See Figure 41.)



NOTE: The receiver extension is compatible with most “mil-spec”-dimension, “M4/AR-15”-pattern buttstocks. The user may install one of these if they prefer. These should be inspected for good fitment and lockup. Due to the broad variety of buttstocks on the market, universal compatibility is not guaranteed.

NOTE: Unless otherwise described in this manual, disassembly for cleaning and lubrication is now complete. The firearm can now be cleaned and lubricated. There are no user serviceable parts below this level. If further disassembly is required, contact Ruger Customer Service (see p. 60).

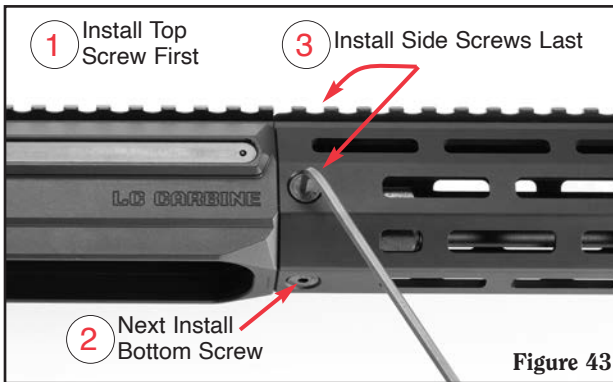
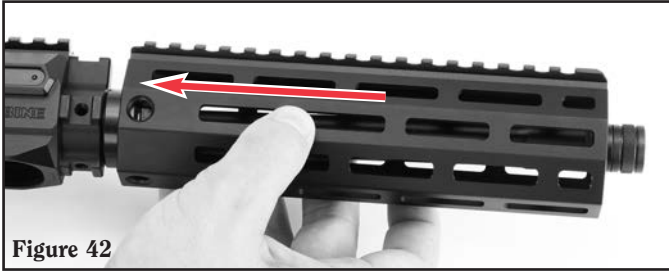
NOTE: To prevent damage to the firearm, do not dry fire while disassembled.

REASSEMBLY

Again, Be Sure Firearm is Unloaded!

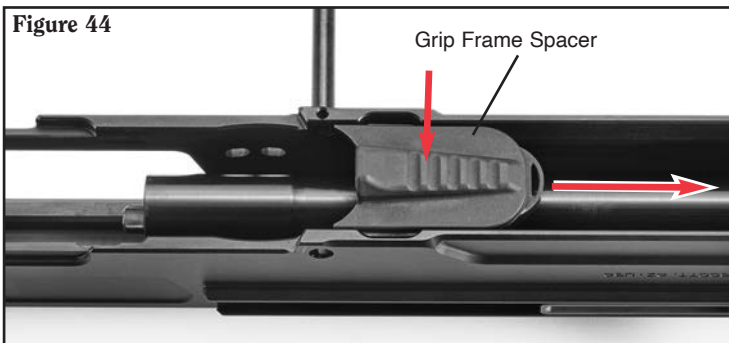
Handguard Reassembly:

1. Slide the handguard onto the front of the receiver. (See Figure 42.)
2. Using a 1/8" hex wrench, install the top screw first. Next, install the remaining three screws in this order: bottom, then sides. (See Figure 43.) Torque the screws to 30-35 in-lbs. **DO NOT EXCEED THE SPECIFIED TORQUE.** Doing so may damage the receiver.

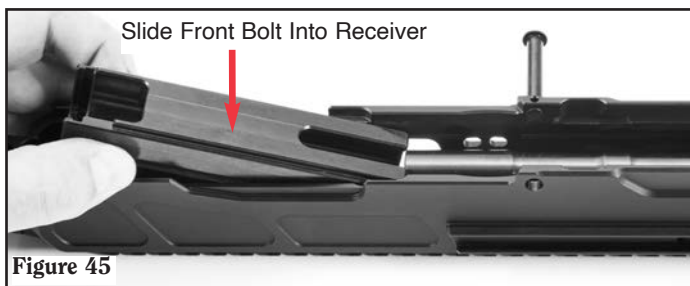


Bolt and Return Spring Assembly:

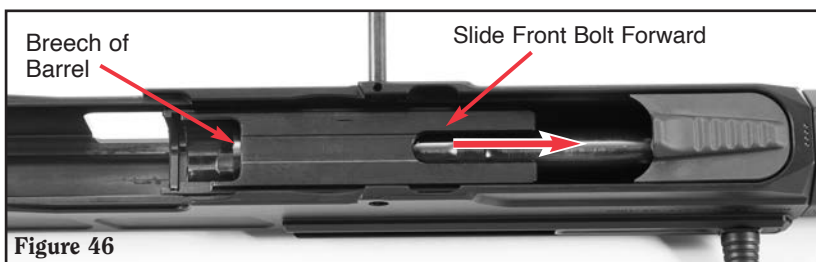
1. Align the tabs of the grip frame spacer with the notches in the receiver and slide it all the way forward. (See Figure 44.)



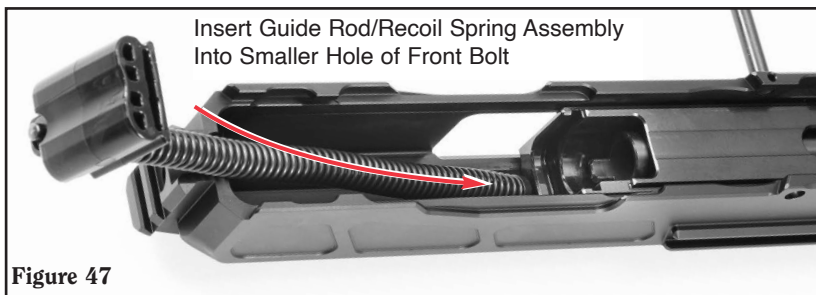
2. With the keyway facing the rear of the receiver, slide the front bolt down into the rear receiver cavity. (See Figure 45.)



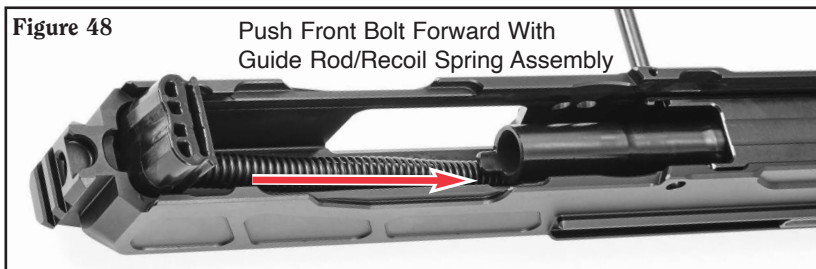
3. Slide the front bolt forward until the keyway is roughly lined up with the breech of the barrel. (See Figure 46.)



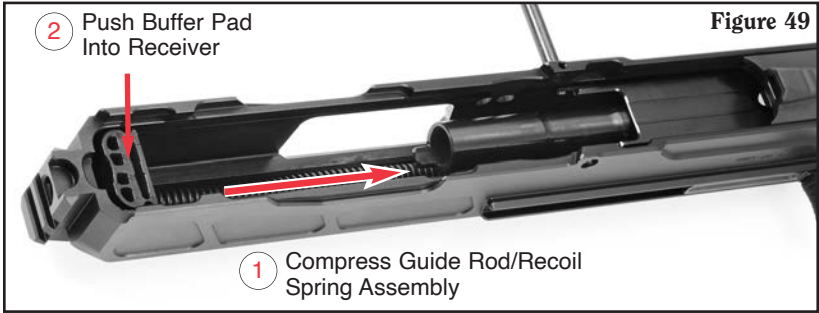
4. Place the rounded tip of the guide rod and recoil spring assembly against the smaller hole in the rear of the front bolt. (See Figure 47.)



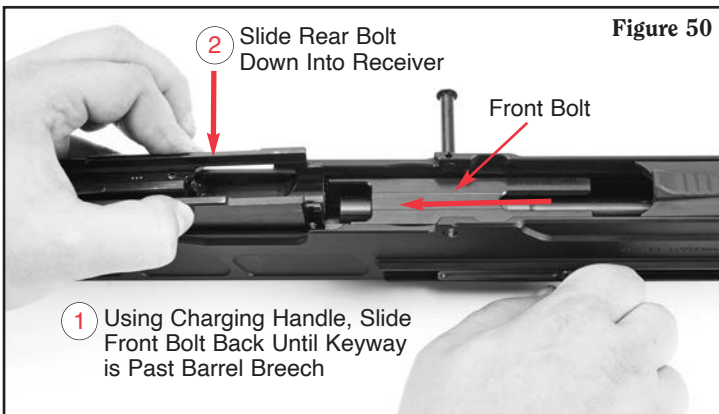
5. Push the front bolt forward with the guide rod and recoil spring assembly. (See Figure 48.)



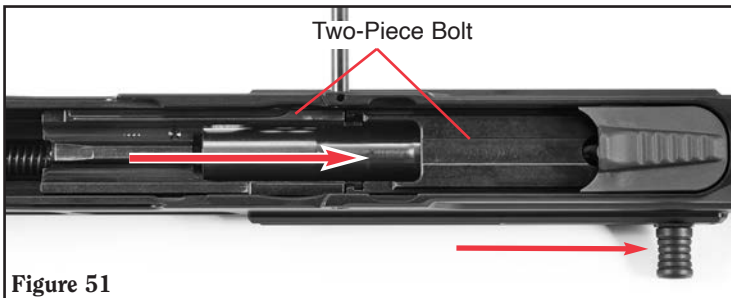
6. Compressing the guide rod/recoil spring assembly slightly, push on the buffer pad until it can be inserted down into the receiver. (See Figure 49.)



7. Move the front bolt all the way rearward with the charging handle and hold it in this position. (See Figure 50, step 1.)
8. Lining up the tab on the front of the rear bolt and the slot on the front bolt, slide the rear bolt down into the receiver cavity. (See Figure 50, step 2.)



9. With the charging handle, slowly allow the two-piece bolt to be driven forward by the guide rod/recoil spring assembly. (See Figure 51.)



Installing the Cheek Pad:

The buttstock must be removed from the receiver extension to install the cheek pad.

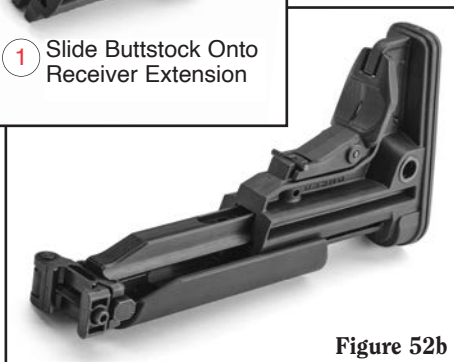
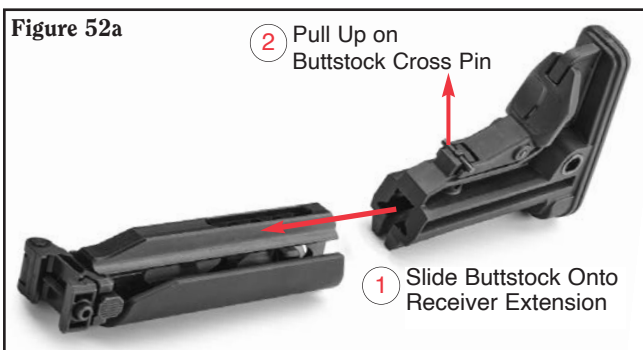
With the tab facing rearward, slide the cheek pad over the receiver extension until the tab clicks into the detent slot in the receiver extension. (See Figure 51.)



Reassembling the Buttstock to Receiver Extension:

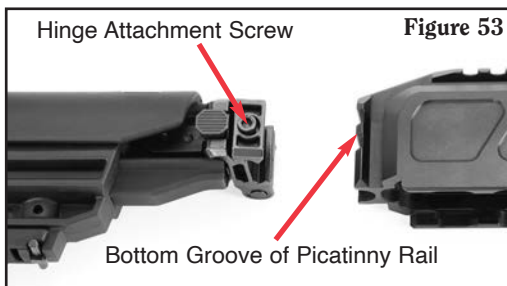
1. Slide the buttstock onto the receiver extension until it stops. (See Figure 52a, step 1.)
2. Using a non-marring tool, pull or pry up on the buttstock cross pin (see Figure 52a, step 2) to lift the buttstock detent pin over the rear of the receiver extension and push the buttstock forward until it clicks into place. (See Figure 52b.)

NOTE: The buttstock detent pin is under heavy spring pressure.



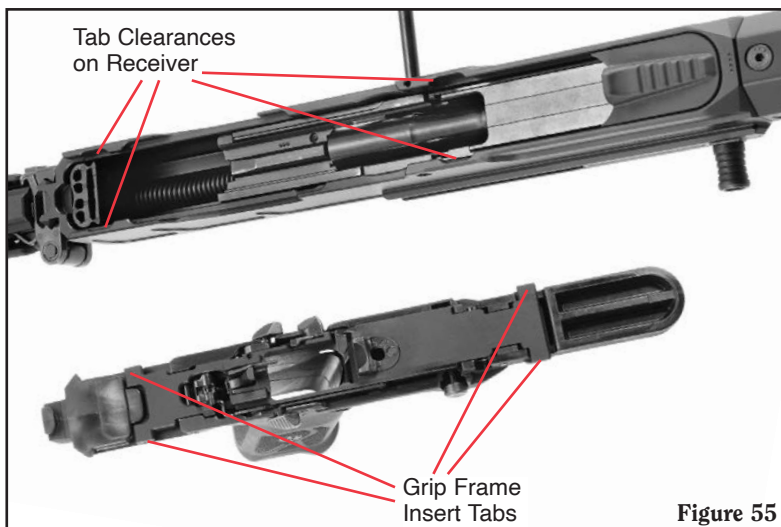
Buttstock Reassembly to Receiver:

1. Line up the hinge attachment screw with the bottom groove across the rear Picatinny rail section on the receiver. (See Figure 53.)
2. Slide both the hinge and the hinge clamp over the edges of the rail section.
3. Using a 9/64" hex wrench, tighten the hinge attachment screw. Torque the bolt to 20-25 in-lbs. (See Figure 54.)



Grip Frame to Receiver Assembly:

1. With the receiver and grip frame upside down, line up the four insert tabs of the grip frame with the tab clearances in the receiver (see Figure 55).



2. Push the grip frame forward to lock the tabs into the receiver slots until the back of the grip frame is aligned with the rear of the receiver (see Figure 56a).
3. Press the takedown pin inward until it snaps into place (see Figure 56b).

Figure 56a

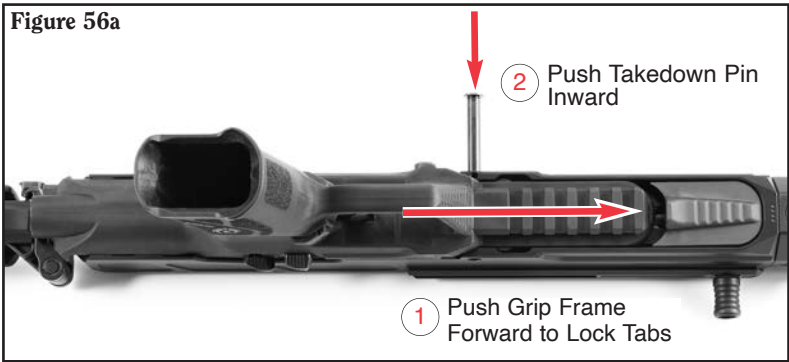
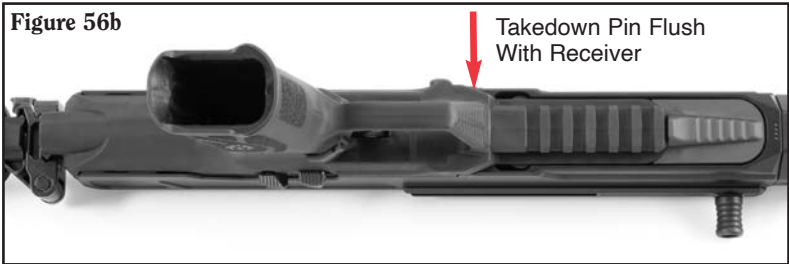


Figure 56b



REVERSIBLE MAGAZINE RELEASE

Firearm Must Be Completely Unloaded Prior to Disassembly!

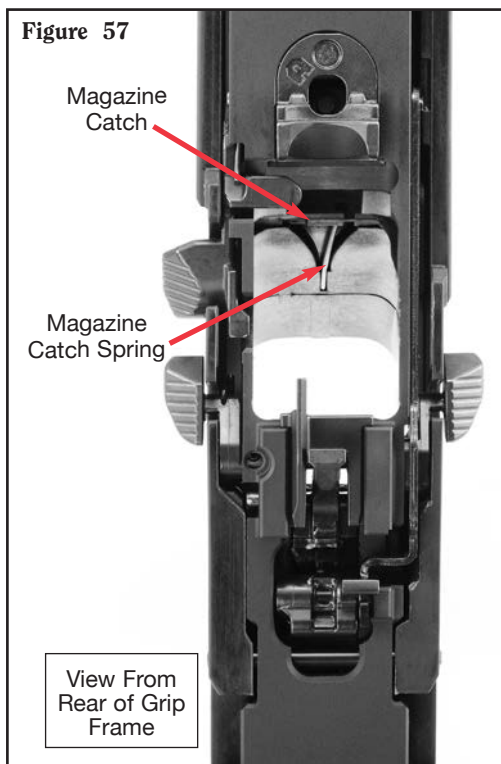
As shipped from the factory, the firearm is configured for most right-handed shooters, with the button on the left side. This can be reversed if the shooter desires the button on the right side.

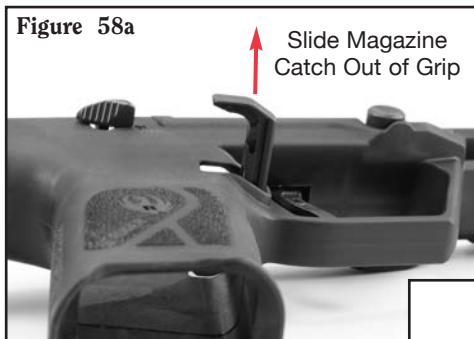
A long, thin, and rigid tool is recommended, like a dental pick or a punch. A set of needlenose pliers also is recommended.

Remove the magazine.

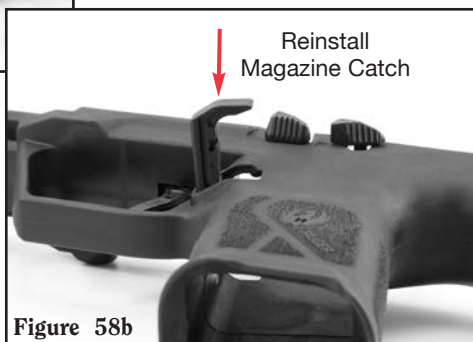
Remove the grip frame from the receiver (see “Disassembly” section, “Grip Frame Removal,” steps 1 - 3, p. 32).

1. Inside the magazine well, when viewed from the top, the magazine catch is retained by a spring wire (see Figure 57). Reaching in from the top, pry the spring wire out of its notch using the pick, then pull it upward and out of the assembly using needlenose pliers.



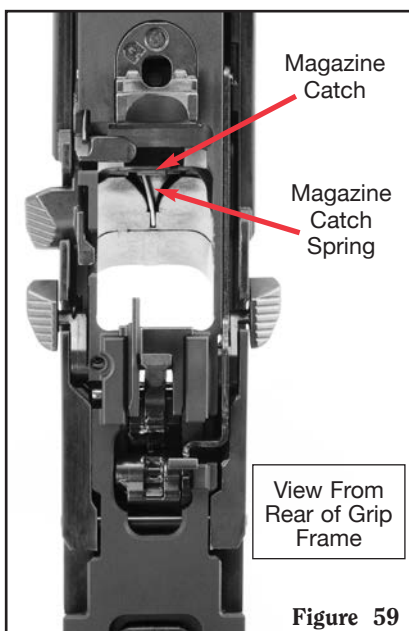


Reverse the magazine catch and install it on the opposite side (see Figure 58b).



- Slide the magazine catch out of the grip (see Figure 58a).

- Slide the spring wire in from the top, then use the pick to pry it into engagement with the slot in the magazine catch (see Figure 59).



Check the function of the magazine catch before reinstalling the grip frame to the receiver. (See Figure 60.)

Reinstall Grip Frame to Receiver Assembly:

Refer to the “Reassembly” section, “Grip Frame to Receiver Assembly,” steps 1 - 3, pages 43 - 44.

REVERSIBLE FOLDING BUTTSTOCK

(On Models So Equipped)

Firearm Must Be Completely Unloaded Prior to Disassembly!

The buttstock on the **LC CARBINE™** can be switched so the stock folds to either the right or left side.

Stock Disassembly From Firearm:

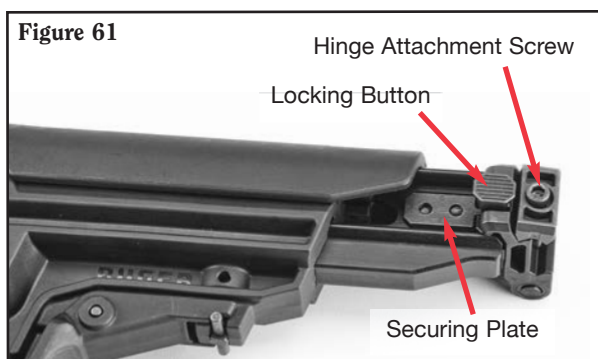
Refer to the “Disassembly” section, “Stock Disassembly From Firearm,” steps 1 - 2, p. 37.

WARNING: Always remove the grip frame prior to removing or swapping buttstock assemblies. (See “Warning – National Firearms Act” p. 11)

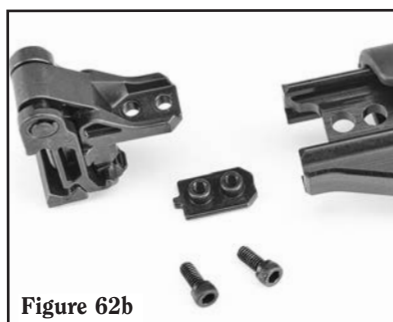
Remove Hinge From Buttstock:

CAUTION: Keep the hinge in the closed position at all times during removal and installation so the latch spring and locking button do not fall out.

1. Loosen the hinge attachment screw but do not remove it (see Figure 61).



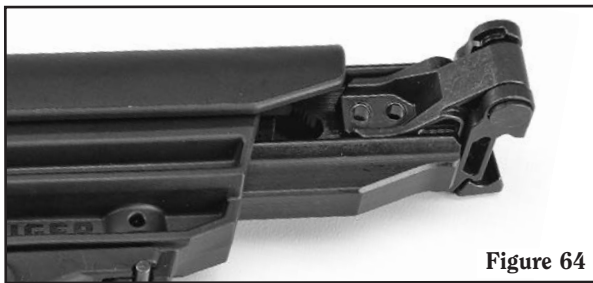
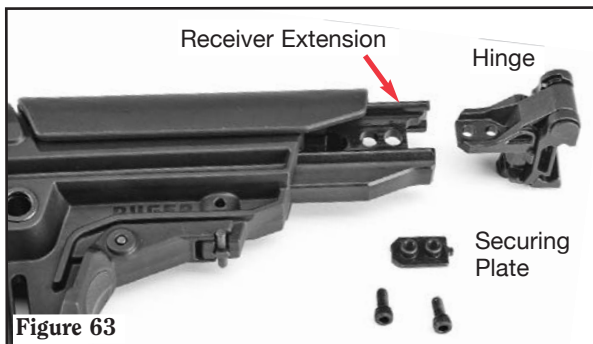
2. Flip the buttstock over. Hold the securing plate in place as you unscrew and remove the two screws (see Figure 62a). The plate will fall free after the screws are removed (see Figure 62b).



Reinstall Hinge To Buttstock:

NOTE: Once assembled the stock will fold to whichever side has the hinge.

1. Flip the buttstock over and align the hinge as shown in Figure 63.
2. Place the hinge on the receiver extension so the holes in the hinge align with the holes in the receiver extension. (See Figure 64.)
3. Install the securing plate through the holes from the opposite side. Be sure to orient the securing plate with the tab facing the hinge (see Figure 63).
4. Hold the securing plate in place as you reinstall the two screws – torque to 45 in-lbs. (See Figure 65.)



Buttstock Reassembly to Receiver:

Refer to the “Reassembly” section, “Buttstock Reassembly to Receiver,” steps 1 - 3, page 43.

BUTTSTOCK ADJUSTMENT

(On Models So Equipped)

Some models of the **LC CARBINE™** have a factory-installed folding buttstock that is adjustable for length of pull.

To Fold the Stock:

1. Keep the muzzle pointed in a safe direction at all times and keep your fingers outside the trigger guard.
2. Move the safety lever fully upward to the “safe” position.
3. Always visually double check the chamber to be certain it is empty. At this point no magazine should be in the firearm.
4. Push the locking button and fold the stock fully (see Figure 66).



To Unfold the Stock:

1. Keep the muzzle pointed in a safe direction at all times and keep your fingers outside the trigger guard.
2. Move the safety lever fully upward to the “safe” position.
3. Always visually double check the chamber to be certain it is empty. At this point no magazine should be in the firearm.
4. If the stock is folded to the left:

Pull upwards on the hinge portion attached to the receiver extension to compress the hinge spring and unlock the hinge. Unfold the stock until it snaps in place and locks.

If the stock is folded to the right:

Press downwards on the hinge portion attached to the receiver extension to compress the hinge spring and unlock the hinge. Unfold the stock until it snaps in place and locks.

To Adjust Length of Pull:

Length of pull can be adjusted by compressing the buttstock lever and sliding the stock into the desired length of pull locking position. (See Figure 67.) The stock can be adjusted into five operating positions, providing a length of pull from 12.5" to 14.5".

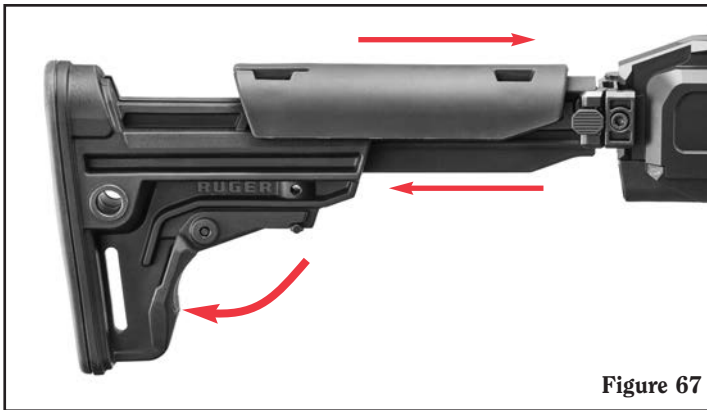


Figure 67

“Breaking In” the Buttstock Hinge:

The buttstock hinge is designed to serve as a detent such that the buttstock can easily be folded and unfolded. When new, some buttstock hinges may tend to lock in place and resist manual opening. To break in the buttstock hinge:

Apply a lubricant to the detent shelf.

Partly fold the stock, until the engagement shelf just touches the detent shelf.

While pulling upward lightly on the stock, work it back and forth to break the edge on the detent shelf.

After several cycles, the buttstock hinge should perform as a “detent” instead of a “lock” when folded.

CHECK YOUR FIREARM'S FUNCTION

Periodic inspection of any firearm is important to ensuring its safe operation. It is important to clean and inspect your firearm after each range session or whenever the firearm has been exposed to sand, dust, moisture, humidity, or other adverse conditions. Proper maintenance increases the longevity of your firearm and will allow early detection of worn or broken parts.

Prior to each use, visually inspect the firearm to ensure no components are damaged, missing, loose, bent, cracked, chipped, or peened. If you observe excessive wear, you should stop using your firearm and contact customer service or a trained, certified gunsmith to evaluate its condition and replace any worn parts, if necessary.

After any disassembly and reassembly, it is important to verify that the action is working correctly before any live firing is attempted.

FIRST, BE SURE THERE IS NO AMMUNITION IN THE CHAMBER OR THE MAGAZINE AND KEEP THE FIREARM POINTED IN A SAFE DIRECTION!

- a. CHECK THE BOLT FUNCTION: With the magazine removed, pull the bolt fully to the rear and release it. The bolt should operate smoothly and travel freely within the receiver without binding. Repeat this process two more times.
- b. CHECK THE SAFETY FUNCTION:
 - First, using the charging handle, pull the bolt fully to the rear and release it. This should cock the internal hammer.
 - Next, engage the safety by pushing it into the “safe” position and attempt to pull the trigger. With the safety in this position, the trigger should not move fully rearward and the hammer should not fall.
 - Finally, move the safety to the “fire” position. Pull the trigger and listen for an audible “click” as an indication the hammer has fallen, striking the firing pin.
- c. CHECK THE BOLT STOP FUNCTION:
 - With the bolt closed, insert an empty magazine and ensure it locks into place.
 - Next, pull the charging handle fully rearward and ensure the bolt is automatically held to the rear by the bolt stop.
 - Push the charging handle forward to its closed position and ensure it is held in place.
 - Press the magazine release and ensure the empty magazine drops free.
 - Finally, retract the charging handle to its extreme rearward position and release it. This will cause the bolt stop to drop and the bolt to be released and move forward.

An online video demonstrating the disassembly, reassembly, and function check of the **RUGER® LC CARBINE™** can be viewed by going to **Ruger.com/TechTips**.

If any of the above function checks fail or if you are uncertain, please consult a competent gunsmith or contact Ruger Customer Service at 336-949-5200 for further firearm inspection before using the firearm.

TO CLEAN AND LUBRICATE

BEFORE CLEANING, BE CERTAIN THE FIREARM AND ITS MAGAZINE ARE UNLOADED.

At regular intervals, or whenever the firearm has been exposed to sand, dust, extreme humidity, condensation, immersion in water, or other adverse conditions, disassemble, clean, and oil it. Proper periodic maintenance is essential to the reliable functioning of any firearm.

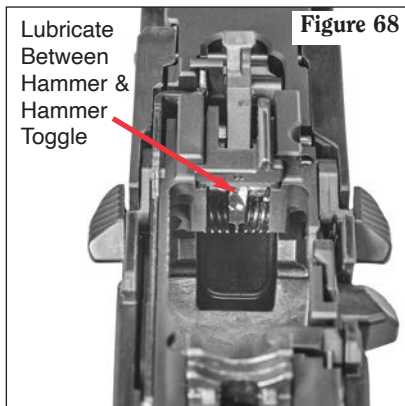
An online video demonstrating the proper cleaning procedure of the **LC CARBINE™** can be viewed by going to **Ruger.com/TechTips**.

WARNING: Always remove the grip frame prior to removing or swapping buttstock assemblies. (See “Warning – National Firearms Act” p. 11)

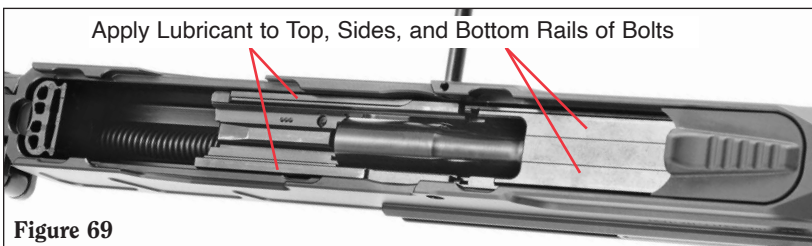
To clean the firearm, proceed as follows:



1. Disassemble (field-strip) the firearm to the extent described on pp. 32 - 38.
2. To clean the barrel, run a cleaning rod with a properly sized solvent-wetted patch through the bore several times. Then, attach a correctly-sized copper brush to the cleaning rod and wet it with solvent. Run the brush forward through the full length of the barrel as many times as necessary to remove fouling from the bore. To clean the chamber, gently scrub it with the brush and solvent. After brushing, clean the bore and chamber with dry patches to remove the solvent and examine. Repeat until clean, then run a lightly oiled patch through the bore and chamber to lubricate. Finally, run one more dry patch through the bore and chamber to remove excess lubricants. Excess lubricants in the barrel and chamber attract and hold dust and can interfere with proper functioning.
3. Using plastic-safe firearms cleaning solvent and bristle brush, clean the bolt, receiver and fire control unit. After cleaning, wipe all surfaces clean with very lightly oiled cloth. Use of certain cleaning solvents, including those containing acetone, can damage the finish.
4. **Lubrication.** Apply a small amount of firearms lubricant to reduce friction on moving parts such as the manual safety, bolt, recoil spring, charging handle slide plate, and the area of contact between the hammer and hammer toggle (see Figure 68). Only a light application is needed to provide adequate lubrication of moving parts and to prevent rust. Excess accumulations of oil tend to attract particles of dust and dirt and may congeal in cold weather which can interfere with the safe and reliable functioning of the firearm.

IMPORTANT: The hammer toggle pocket must be lubricated in the area indicated (see Figure 68). A grease such as Mil-Comm TW25b is recommended. If the firearm is aggressively cleaned (such as using an ultrasonic cleaner), then this grease must be replenished. Use a small stick or pipe cleaner to get grease into this pocket.



The front and rear bolt should each be lightly lubricated on the top, sides, and bottom rails (see Figure 69). Use a high-quality gun oil with good long-term stability and lubricity, such as CLP.



 WARNING – LUBRICATION	
	Firing a firearm with oil, grease, or any other material even partially obstructing the bore may result in damage to the firearm and serious injury or death to the shooter and those nearby. Do not spray or apply lubricants directly on ammunition. If the powder of a cartridge is affected by the lubricant, it may not be ignited, but the primer firing may push the bullet into the bore where it may be lodged. Firing a subsequent bullet into the obstructed bore may damage the firearm and cause serious injury or death to the shooter and those nearby. Use lubricants properly. You are responsible for the proper care and maintenance of your firearms.
	IMPROPER LUBRICATION DESTROYS FIREARMS

INSPECTION AND MAINTENANCE

Firearms are exposed to extreme heat and stress. The proper care of any firearm should always include periodic inspection for worn or broken parts to protect your investment and ensure a lifetime of safe shooting. A firearm with worn-out or broken parts may continue to function, however it will eventually fail or become unsafe to shoot. Clean and inspect your firearm after each range session and replace worn parts as needed.

Disassemble and clean your firearm in accordance with the instructions found in this instruction manual. Before lubricating, visually inspect the entire firearm for damaged or missing components. A scuffed or shiny appearance in high friction areas is normal. Cracks, burrs, and peening are indicators that parts need to be replaced to prevent further deterioration from occurring.

Common replacement parts may be purchased on ShopRuger.com. Additional GENUINE RUGER® FACTORY parts can also be ordered through Ruger Customer Service. After replacing any worn parts, lubricate, reassemble, and perform a function check as outlined in this instruction manual on the unloaded firearm to ensure it operates properly and verify that all safety devices are in proper working order.

If you have any questions or concerns about the safe operation of your firearm, contact Ruger Customer Service or your local trained and certified gunsmith.

PICATINNY ACCESSORY RAIL

The **RUGER® LC CARBINE™** comes with a full-length top Picatinny rail for use with a variety of common aftermarket accessory sight options. Most accessories using the Picatinny (MIL-STD-1913), STANAG 4694, or “Weaver” mounting formats should fit on this rail.

The firearm should never be used without sights.

M-LOK ACCESSORY RAIL

The **RUGER® LC CARBINE™** handguard is compatible with accessories utilizing the Magpul® M-LOK standard. Instructions for installing M-LOK accessories are readily available online. Recommended torque values include:

- When attaching metal accessories: 35 in-lbs.
- When attaching polymer accessories: 15 in-lbs.

QD SLING SOCKET(S)

The **RUGER® LC CARBINE™** is equipped with sling socket(s) in the popular “QD” (quick detach) format. This allows configuration with popular slings.

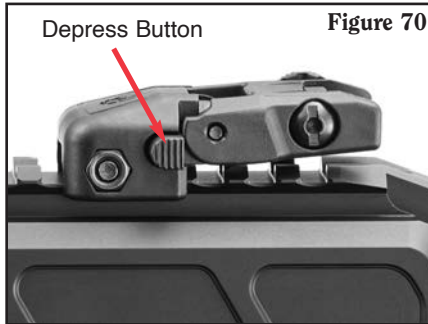
- 1x Grip frame QD sling socket, steel reinforced.
- 2x Buttstock QD sling socket, steel reinforced (on models so equipped).
- 1x M-LOK QD sling socket (on models so equipped). This allows the user to mount the sling anywhere on the handguard's M-LOK slots to their exact ergonomic specifications.

When mounting a sling, always check that the QD sockets have latched securely into their sockets. Failure to install the sling properly may result in a dropped firearm.

SIGHT ADJUSTMENT

Operation:

1. To raise the sights, press the button located on the left side of the base and the sight will pop-up into position. (See Figure 70).
2. To fold the sight, press rearward on the vertical portion of the sight body until it latches into place.

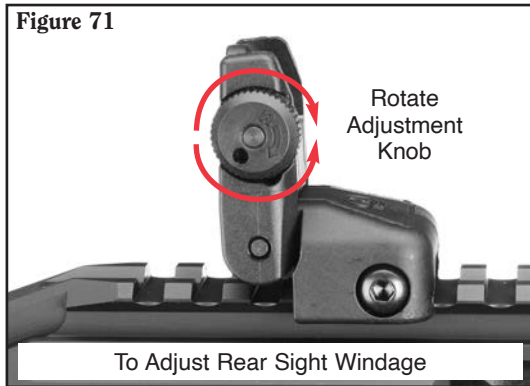


Zeroing Procedures:

1. Fire a group and measure from the point of aim to the point of impact.
2. Adjust the rear sight for windage only.
3. Elevation adjustment is made with the front sight post using the included tool.
4. Confirm zero with a group of aimed shots and adjust as necessary.

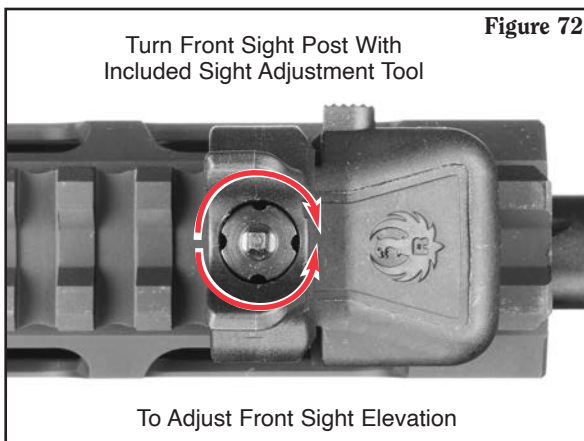
Adjustment – See Figures 71 & 72:

1. To move the bullet impact right – turn the rear sight adjustment wheel to the right/clockwise.
2. To move the bullet impact left – turn the rear sight adjustment wheel to the left/counterclockwise.
3. To move the bullet impact up – using the sight adjustment tool, turn the front post to the right/clockwise.
4. To move the bullet impact down – using the sight adjustment tool, turn the front post to the left/counterclockwise.



One click of the windage adjustment knob should move the impact of the round approximately 1/4" at 50 yards (see Figure 71).

One quarter turn of the front sight, using the sight adjustment tool, should move the impact of the round approximately 3/4" at 50 yards (see Figure 72).



THREAD PROTECTOR and MUZZLE DEVICES (ON MODELS SO EQUIPPED)



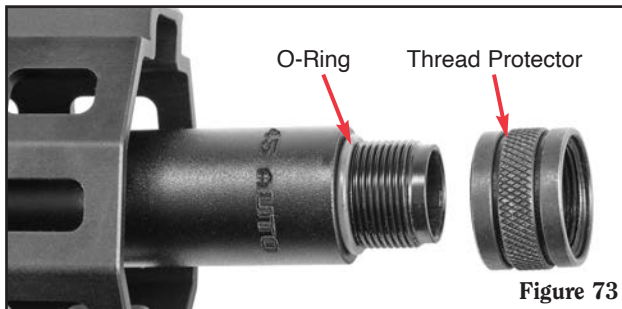
WARNING: Ensure that any muzzle device installed on the **LC CARBINE™** is of the correct thread pitch and intended for use on firearms chambered in the caliber marked on the barrel. Failure to do so may result in injury and damage to your firearm or device.

NOTE: Some **RUGER® LC CARBINES™** are equipped with a non-threaded barrel for consumers in those states which have feature-based restrictions.

Threaded barrel **LC CARBINES™** chambered in 45 AUTO come equipped with a .578"–28 threaded muzzle and corresponding thread protector. The thread protector is retained in position by a factory-installed O-Ring when manually tightened (see Figure 73). If the factory-provided thread protector is replaced with a different muzzle device, the O-Ring must be removed. Removing the O-Ring ensures that muzzle devices tighten directly against the barrel, concentrically to the bore.

Certain muzzle devices may index on the muzzle and others may index on the shoulder. Devices that index on the muzzle may have a small visible gap from the barrel's shoulder when installed. This is normal. For proper alignment, it is recommended to clean any carbon fouling and debris off of the barrel's muzzle and shoulder, as well as the muzzle device, before installation. When removing a firmly stuck muzzle device from an unloaded carbine, it is recommended to grip and support the barrel directly using a padded vise or a strap wrench with the handguard removed. Adhesives are not recommended unless the muzzle device's manufacturer specifically calls for them. Consult an experienced gunsmith to remove the muzzle device if stuck.

If installing a suppressor, always use a fixed mount. Do not use a spring-loaded "booster," "piston," or "Nielsen device" (typically used for pistols). Check for proper alignment before shooting through a suppressor. The firearm must be completely unloaded before checking suppressor alignment with a precision alignment rod, available from various firearm accessory companies.



NOTE: The action may cycle at a higher velocity when a suppressor is installed. As a result, certain aftermarket magazines may have issues feeding. If this issues arises, it is recommended to try using Ruger or Glock OEM magazines.

CAUTION: Suppressors may increase backpressure through the ejection port when firing. It is important that you ALWAYS wear eye protection when shooting. Adequate ventilation is recommended when shooting with a suppressor.

CAUTION: “Hearing safe” for a single shot may still be damaging over longer durations of noise exposure. Hearing protection should always be worn.

WARNING: Periodically check tightness of muzzle devices when firing to prevent damage. Never install, uninstall, tighten, or adjust muzzle devices on a loaded firearm. Always unload completely and keep the muzzle pointed in a safe direction before working on any firearm. Use leather gloves to tighten a hot suppressor or allow it to cool.

Suppressors may cause a shift in the point of impact requiring adjustment of the sights. Reliability will vary depending on the combination of ammunition, magazine, and suppressor used. Regardless, all suppressed firearms will get dirtier faster and require more frequent cleaning. If you experience excessive failures try cleaning the rifle more frequently or changing magazines, ammunition, or the suppressor.

WARNING: Only use suppressors rated for the correct caliber and rifle that utilize the proper thread pitch.

Always check with the suppressor manufacturer first to ensure your suppressor is compatible with the **LC CARBINE™**.

STORAGE

FIREARMS SHOULD NOT BE STORED LOADED!

**USE THE LOCKING DEVICE SUPPLIED WITH THE FIREARM TO
RENDER IT INOPERATIVE FOR SAFE STORAGE.
(SEE PAGE 8)**

Do not store the firearm in a leather case or scabbard. Leather attracts moisture, even though it may appear to be dry.

 WARNING – STORAGE	
	<ul style="list-style-type: none">• Never place or store any firearm in such a manner that it may be dislodged. Firearms should always be stored securely and unloaded, away from children and careless adults.• Use the locking device supplied with the firearm for storage. The use of a locking device or safety lock is only one aspect of responsible firearms storage.• For increased safety, firearms should be stored unloaded in a location that is both separate from their ammunition and inaccessible to children and any other unauthorized person.
STORE SECURELY & UNLOADED	

SERVICE AND PARTS POLICY

If you have any question regarding the performance of your **RUGER® LC GARBINE™** please contact our Customer Service online at **Ruger.com** or call the Customer Service Dept. at 336-949-5200. Fully describe all circumstances and conditions involved. If you should need to return your firearm to the factory for repair, or order parts for it, please comply with the following suggestions for prompt service:



WARNING: BEFORE SHIPPING ANY FIREARM, BE ABSOLUTELY CERTAIN THAT IT IS UNLOADED. DO NOT SHIP CARTRIDGES WITH A FIREARM.

SHIPPING FIREARMS FOR REPAIR

NOTE: You must obtain a **Repair Authorization Number** before returning your firearm. An authorization number can be obtained by contacting Customer Service online at **Ruger.com** or calling the Customer Service Department at 336-949-5200. Firearms should be sent prepaid. We will not accept collect shipments. Any **RUGER® LC GARBINE™** returned to the factory for repair should be sent to: Sturm, Ruger & Company, Inc., Customer Service Department, 200 Ruger Road, Prescott, AZ 86301.

The Federal Gun Control Act, as well as the laws of most states and localities, do not prohibit an individual (who is not otherwise barred from purchasing or possessing a firearm) from shipping a firearm directly to the manufacturer for repair. However, before you ship your firearm to us, be certain that your state or locality does not have a law or regulation which will prohibit you from receiving the firearm (or any included magazines) from us after repair. If such receipt is prohibited, please have a federally licensed firearms dealer ship the firearm to us. If your firearm is sent to us by a dealer, it will be returned to that dealer after being repaired. If a handgun (pistol or revolver) is shipped by an individual who does not hold a Federal Firearms License, it must be shipped for overnight delivery via U.P.S., Federal Express or other, similar private overnight service.

NOTE: Persons who do not hold a Federal Firearms License are prohibited by Federal law from shipping a handgun by U.S. Mail. Handguns mailed in violation of the law may be impounded or confiscated by the Post Office and the non-FFL may be subject to prosecution. Rifles and shotguns may be shipped via U.S. Mail.

Please do not include firearm cases, slings, telescopic sights, or custom accessories with a firearm being shipped to the factory for service. **DO NOT SEND FIREARM BOXES OR LITERATURE THAT YOU CONSIDER TO BE COLLECTOR'S ITEMS – THESE ARE INVARIABLY DAMAGED OR DESTROYED IN SHIPMENT.** Always insure your shipment.

Enclose a letter that includes your name, address, telephone number, firearm serial number and model, and repair authorization number. Describe in detail the trouble you have experienced with your firearm, or the work you wish to have done. Merely stating that the firearm “needs repair” is inadequate information. Please enclose copies of any previous correspondence.

All work performed is subject to a minimum labor charge and charges for shipping and handling. Most models can be reblued, but custom gunsmithing service or nonstandard alterations are NOT AVAILABLE from Ruger Customer Service Departments. Please contact the Customer Service Department for pricing information.

 WARNING – PARTS PURCHASERS	
	<ul style="list-style-type: none">• It is the purchaser's responsibility to be absolutely certain that any parts ordered from the factory are correctly fitted and installed.• Firearms are complicated mechanisms and IMPROPER FITTING OF PARTS MAY RESULT IN A DANGEROUS MALFUNCTION, DAMAGE TO THE FIREARM, AND SERIOUS INJURY TO THE SHOOTER AND OTHER PERSONS.• The purchaser and installer of parts must accept full responsibility for the correct adjustment and functioning of the firearm after such installation.
PARTS MUST FIT CORRECTLY	


ORDERING PARTS

Please contact the Arizona Customer Service Department for parts availability and current prices. All written parts orders for the **RUGER® LC CARBINE™** should be sent to: Sturm, Ruger and Co., Inc., Customer Service Department, 200 Ruger Road, Prescott, AZ 86301.

We cannot comply with open account or C.O.D. orders. Payment in full via credit card (Visa or MasterCard only), money order or certified bank check (no personal checks or cash, please) is required before any service will be performed. Please provide your credit card number, your name as it appears on the credit card, the expiration date, and the 3-digit security code. All parts orders are subject to a minimum charge and charges for shipping and handling. Order parts by **Part Name and specify the model and entire serial number** of the firearm for which the parts are being ordered. There is a minimum labor charge plus a shipping and handling charge if the parts are factory fit. All factory fit parts are fit on an exchange basis only. We will not return the replaced parts. Please contact the Customer Service Department for pricing information.

Because the receiver is a serial numbered component, it is defined as a “firearm” by Federal law and is not sold as a separate component.

*Parts designated by an asterisk must be factory fit. These parts are fit on an exchange basis only. We will not return the replaced parts. We will not return any part that is broken, malfunctioning, badly worn or has been modified. See “Warning – Parts Purchasers” above.

	WARNING: A firearm containing broken, malfunctioning, or badly worn parts should not be fired.
---	---

RUGER® LC CARBINE™

PARTS LIST

Design, prices and specifications subject to change without notice.

SPECIFY MODEL, CALIBER AND SERIAL NO. WHEN ORDERING

(See Exploded View p. 65 & Supplemental Exploded Views pp. 66 - 70)

Key	Part Name
† 1	Receiver Assembly – Complete Includes Key Nos. 2 - 14 (See Exploded View p. 66)
† 2	Receiver
3	Charging Detent Stop
4	Safety Detent Plunger
5	Safety Spring
6	Charging Detent Pin
7	Cover Plate
8	Slide Plate
9	Charging Handle
10	Charging Handle Screw
11	Takedown Detent Spring
12	Takedown Detent
13	Takedown Pin
14	Grip Frame Spacer
15	Barrel Assembly – Complete Includes Key Nos. 16 - 18 (See Exploded View p. 66)
16	Barrel
17	O-Ring
18	Thread Protector
19	Barrel Nut
20	Bolt Assembly – Complete Includes Key Nos. 21 - 28 (See Exploded View p. 67)
21	Bolt, Rear
22	Firing Pin Spring
23	Firing Pin
24	Firing Pin Retention Pin (See NOTE p. 67)
25	Extractor Spring
26	Extractor
27	Extractor Pivot Pin (See NOTE p. 67)
28	Bolt, Front
29	Buffer Assembly – Complete Includes Key Nos. 30 - 35 (See Exploded View p. 67)
30	Guide Rod
31	Guide Rod Bushing
32	Guide Rod Spring
33	Spring Cap
34	Bolt Buffer
35	Guide Rod Retainer

† The receiver is a serial-numbered part and is not separately offered for sale.

* Parts so marked must be factory fit.

Key	Part Name
36	Receiver Extension Assembly – Complete Includes Key Nos. 37 - 48 (See Exploded View p. 68)
37	Folding Stock Hinge Mount
38	Extension Hinge
39	Hinge Clamp
40	Folding Stock Locking Button
41	Hinge Pin
42	Hinge Attachment Screw
43	Folding Stock Securing Plate
44	Hinge Spring
45	Latch Spring
46	Receiver Extension Attachment Screw, 2 Req'd
47	Hinge E-Clip
48	Receiver Extension
49	Handguard
50	Handguard Screws, 4 Req'd
51	Front Sight
52	Rear Sight
53	Sight Screw, 2 Req'd
54	Sight Hex Nut, 2 Req'd
55	Grip Frame Assembly – Complete Includes Key Nos. 52 - 57 (See Exploded View p. 69)
56	Grip Frame
57	Magazine Release
58	Magazine Catch Spring
59	Insert Assembly
60	Grip Frame Pin, Front
61	Grip Frame Pin, Rear
* 62	Insert Assembly – Complete Includes Key Nos. 59 - 83 (See Exploded View p. 70)
* 63	Insert
* 64	Feed Ramp Insert
* 65	Ejector Retaining Pin
* 66	Ejector
* 67	Coiled Spring Pin
* 68	Trigger Assembly
* 69	Trigger Pivot
* 70	Trigger Spring
* 71	Trigger Pivot Pin
* 72	Sear Spring
* 73	Sear
* 74	Trigger Group Pin, 3 Req'd
* 75	Hammer
* 76	Trigger Bar
* 77	Safety Shaft
* 78	Right Safety
* 79	Safety Retaining Pin, 2 Req'd
* 80	Left Safety

* Parts so marked must be factory fit.

Key	Part Name
* 81	Safety Spring
* 82	Hammer Toggle
* 83	Toggle Spring
* 84	Slide Stop Spring
* 85	Bolt Stop
* 86	Right Side Bolt Release Spring
* 87	Bolt Release Plunger
88	Cheek Pad
89	Buttstock Subassembly – Complete
	Includes Key Nos. 86 - 93 (See Exploded View p. 70)
90	Buttstock
91	Buttpad
92	Buttstock Lever
93	Buttstock Detent Pin
94	Buttstock Detent Spring
95	Buttstock Cross Pin
96	Buttpad Screw, 2 Req'd
97	Buttstock Lever Pin
98	Magazine, Not Illustrated

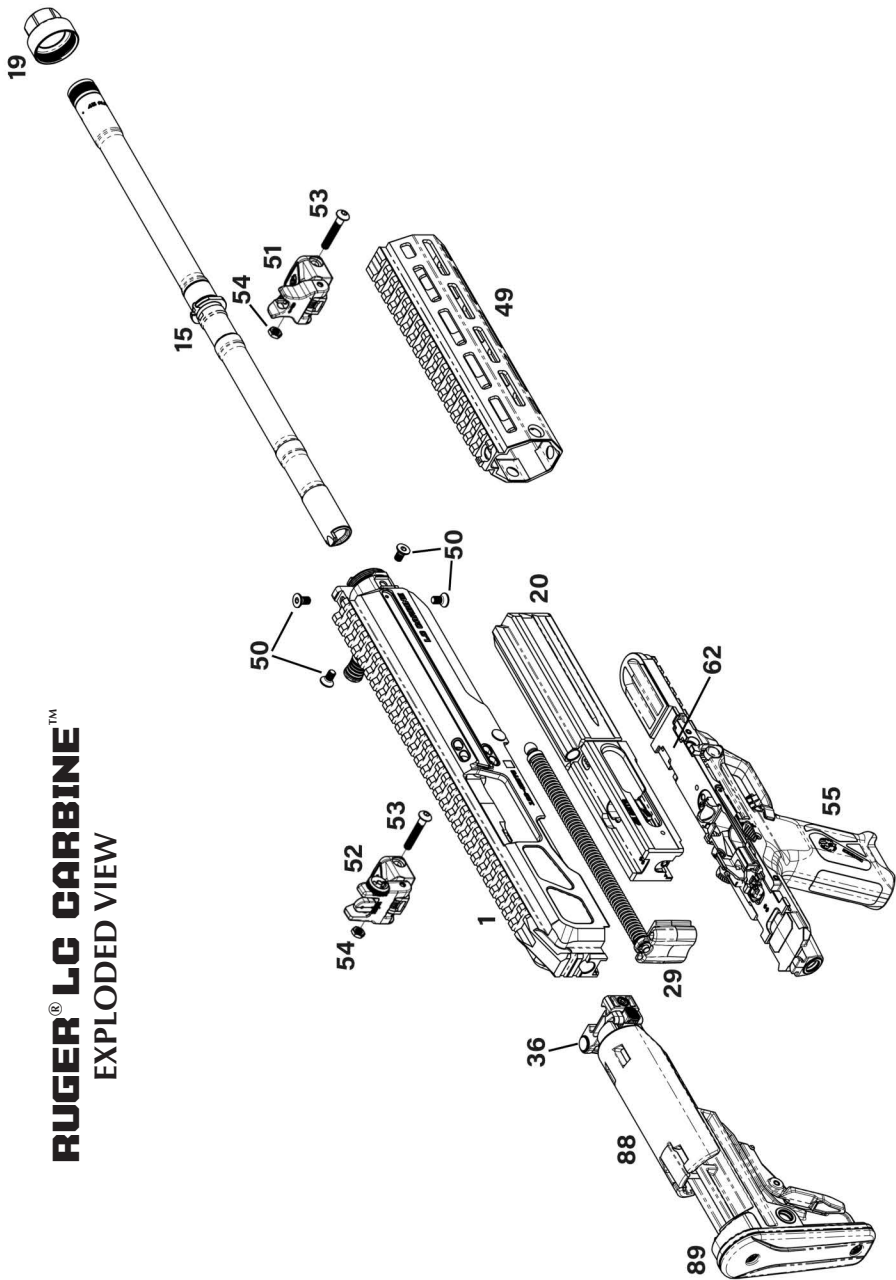
* Parts so marked must be factory fit.

TORQUE SPECIFICATIONS FOR THREADED FASTENERS

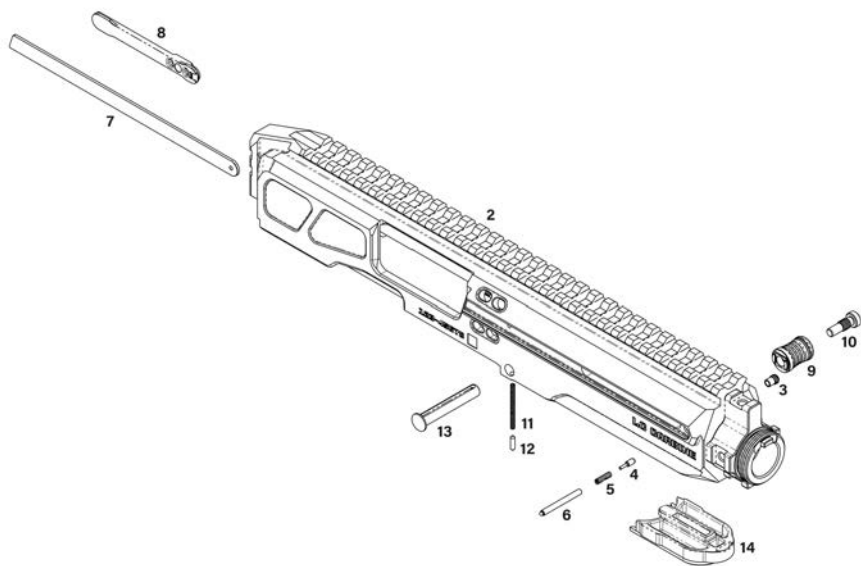
All fasteners should be torqued as specified, using a metered torque screwdriver or torque wrench. **DO NOT OVER-TIGHTEN FASTENERS; THIS MAY CAUSE SEVERE DAMAGE.**

Key	Part Name	Driver Set	Torque Spec		
			Min	Max	Unit
3	Charging Detent Stop	Small Flathead	5	7	in-lb
10	Charging Handle Screw	1/8" ASME, Hex Key	40	45	in-lb
19	Barrel Nut	7/8" SAE, Wrench Flats	45	50	ft-lb
42	Hinge Attachment Screw	9/64" ASME, Hex Key	20	25	in-lb
46	Receiver Extension Attachment Screw	9/64" ASME, Hex Key	45	50	in-lb
50	Handguard Screw	1/8" ASME, Hex Key	30	35	in-lb
53	Sight Screw	1/8" ASME, Hex Key	17	20	in-lb
96	Buttpad Screw	1/8" ASME, Hex Key	10	15	in-lb
N/A	M-LOK Accessories, made of metal	<i>Usually</i> 1/8" ASME, Hex Key	35		in-lb
N/A	M-LOK Accessories, made of polymer	<i>Usually</i> 1/8" ASME, Hex Key	15		in-lb

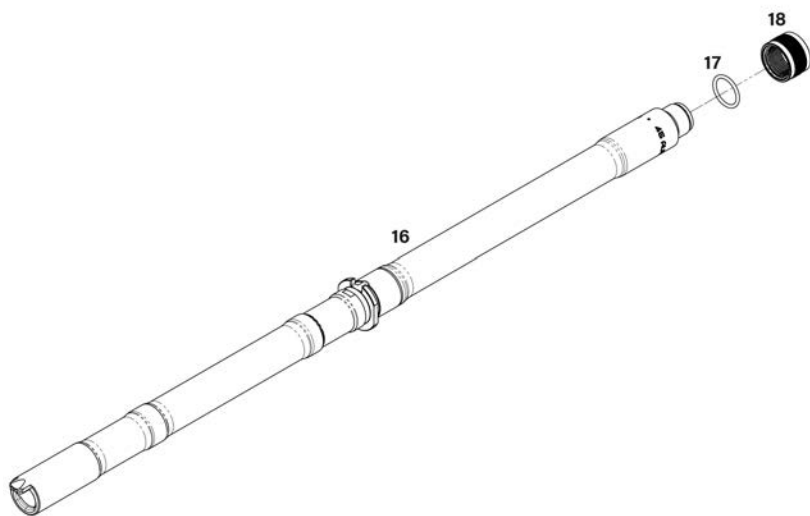
RUGER® LC CARBINE™
EXPLODED VIEW



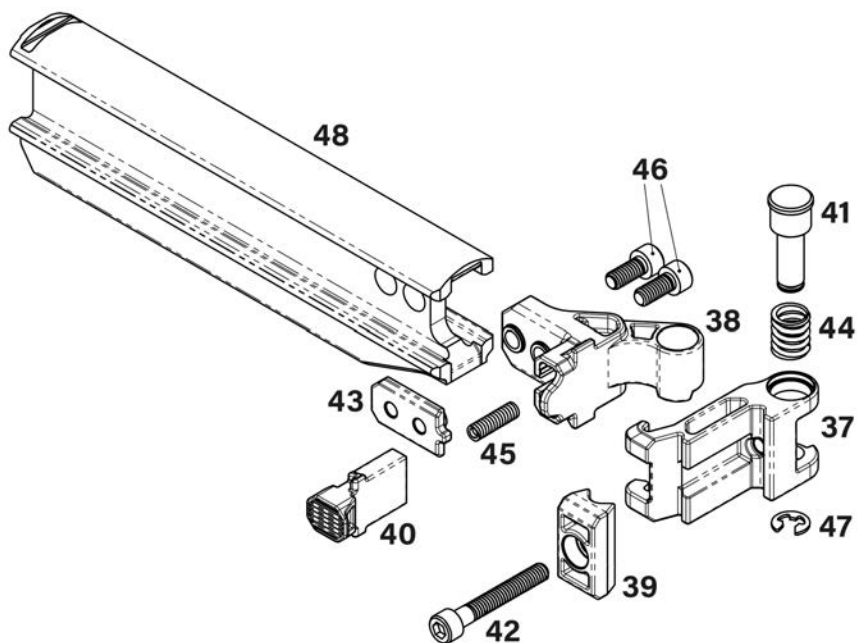
RUGER® LC CARBINE™ RECEIVER ASSEMBLY



RUGER® LC CARBINE™ BARREL ASSEMBLY

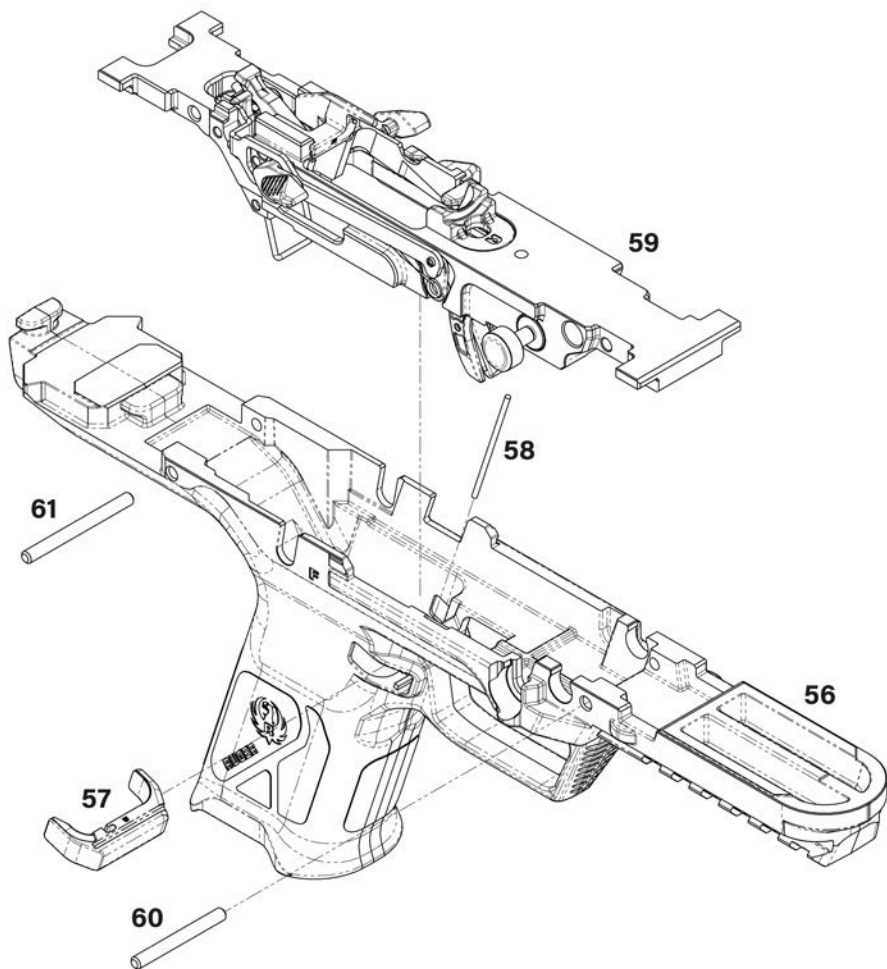


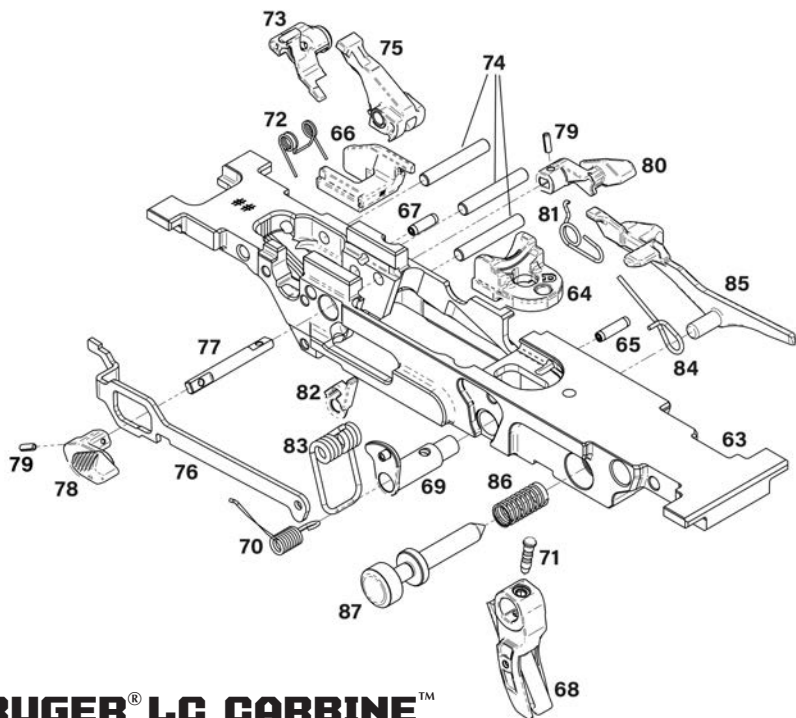
RUGER® LC CARBINE™ RECEIVER EXTENSION ASSEMBLY



RUGER® LC CARBINE™

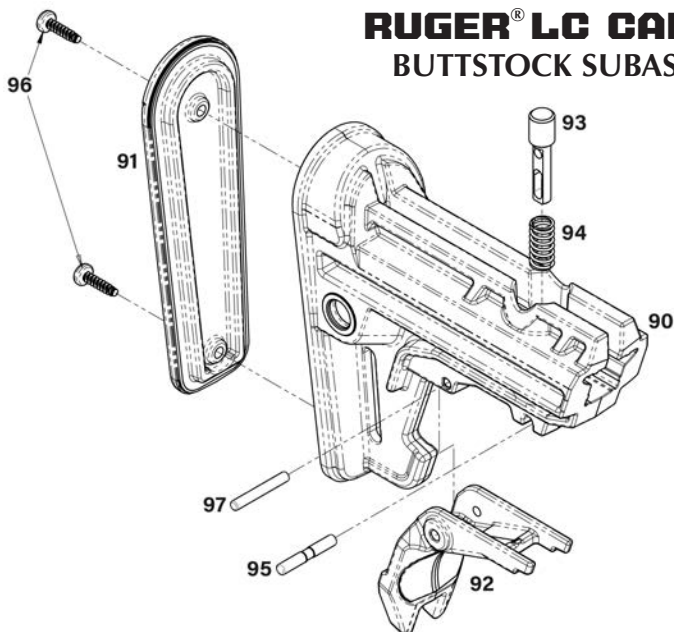
GRIP FRAME ASSEMBLY





RUGER® LC CARBINE™
INSERT ASSEMBLY

RUGER® LC CARBINE™
BUTTSTOCK SUBASSEMBLY



THE BASIC RULES OF SAFE FIREARMS HANDLING

We believe that Americans have a right to purchase and use firearms for lawful purposes. The private ownership of firearms in America is traditional, but that ownership imposes the responsibility on the gun owner to use his firearms in a way which will ensure his own safety and that of others. When firearms are used in a safe and responsible manner, they are a great source of pleasure and satisfaction, and represent a fundamental part of our personal liberty.

Firearms do not cause accidents! Firearms accidents are almost always found to have been the result of carelessness or ignorance on the part of the shooter of the basic rules of safe gun handling.

The following rules must be observed by gun users at all times. Safe gun handling is not just desirable, it is absolutely essential to your safety, the safety of others, and the continuation of gun ownership and sport shooting as we know it today.

1. LEARN THE MECHANICAL AND HANDLING CHARACTERISTICS OF THE FIREARM YOU ARE USING.

Not all firearms are the same. The method of carrying and handling firearms



varies in accordance with the mechanical provisions for avoiding accidental discharge and the various proper procedures for loading and unloading. No person should handle any firearm without first having thoroughly familiarized himself with the particular type of firearm he is using, and with safe gun handling in general.

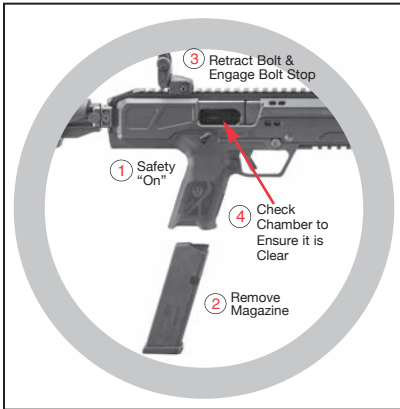
2. ALWAYS KEEP THE MUZZLE POINTED IN A SAFE DIRECTION.



Be sure of the bullet stop behind your target, even when dry-firing. Never let the muzzle of a firearm point at any part of your body or at another person. This is particularly important when loading or unloading a firearm. In the event of an accidental discharge, no injury can occur as long as the muzzle is pointing in a safe direction. A safe direction means a direction that will not permit a discharged bullet to strike a person, or to strike an object from which the bullet may ricochet.

A safe direction must take into account the fact that a bullet may penetrate a wall, ceiling, floor, window, etc., and strike a person or damage property. Make it a habit to know exactly where the muzzle of your gun is pointing whenever you handle it, and be sure that you are always in control of the direction in which the muzzle is pointing, even if you fall or stumble. Keep your finger off the trigger until you are ready to shoot.

3. FIREARMS SHOULD BE UNLOADED WHEN NOT IN USE.



Firearms should be loaded only when you are in the field or on the target range or shooting area, ready to shoot. Firearms and ammunition should be securely locked in safes, racks or cabinets, or by using the locking device supplied with the firearm, when not in use. Ammunition should safely be stored separate from firearms. Store your firearms out of sight of visitors and children. It is the gun owner's responsibility to be certain that children and

persons unfamiliar with firearms cannot gain access to firearms, ammunition, or components.

4. BE SURE THE BARREL IS CLEAR OF OBSTRUCTIONS BEFORE SHOOTING.

Even a bit of mud, snow or excess lubricating oil or grease in the bore may cause the barrel to bulge, or even burst on firing, and can cause serious injury to the shooter and bystanders. Be sure that you are using ammunition of the proper caliber and loading for the gun you are using. If the report or recoil on firing seems weak, or doesn't seem quite right, **CEASE FIRING IMMEDIATELY**, unload your firearm, and check to be sure that no obstruction has become lodged in the barrel. Never try to shoot out an obstruction!





5. BE SURE OF YOUR TARGET BEFORE YOU SHOOT.

Don't shoot unless you know exactly where your bullet is going to strike. Be sure of the bullet stop behind your target, even when dry-firing with an unloaded gun. If you are in the field hunting, do not fire at a movement or noise. Take the time to be absolutely certain of your target before you pull the trigger.

6. WEAR SHOOTING GLASSES AND HEARING PROTECTION WHEN YOU SHOOT.

All shooters should wear protective shooting glasses and adequate hearing protection when shooting. Exposure to shooting noise can damage hearing, and wearing adequate eye protection when shooting is essential.



7. NEVER CLIMB A TREE OR FENCE WITH A LOADED FIREARM.

Put the firearm down carefully before climbing a fence, and unload it before climbing or descending a tree or jumping over a ditch or other obstruction. Never pull or push a loaded firearm toward yourself or another person. When in doubt, or whenever you are about to do anything awkward, unload your gun!

8. DON'T SHOOT AT A HARD SURFACE OR AT WATER.

Bullets can glance off many surfaces like rocks or the surface of water and travel in unpredictable directions with considerable velocity.



9. NEVER TRANSPORT A LOADED FIREARM.

Firearms should always be unloaded before being placed in a vehicle. A suitable carrying case or scabbard should be used to carry an unloaded firearm to and from the shooting area.

10. AVOID ALCOHOLIC BEVERAGES WHEN SHOOTING.

Don't drink until the day's shooting is over. Handling firearms while under the influence of alcohol in any form, or medications that could affect your judgment or coordination, constitutes a criminal disregard for the safety of others.



A BRIEF ACCOUNT OF AN EXTRAORDINARY ACHIEVEMENT: RUGER® FIREARMS

Sturm, Ruger & Company, Inc., had its beginning in a small machine shop occupying a rented frame building in Southport, Connecticut. In January, 1949, with an initial investment of only \$50,000 and an idea, William B. Ruger and Alexander M. Sturm started production of a .22 caliber autoloading pistol—a design which was so successful that it became the cornerstone upon which one of the most comprehensive lines of sporting firearms ever made in America was established. After Alex Sturm's death in 1951, William B. Ruger continued to direct the Company until his death in 2002. William B. Ruger, Jr. continued to provide guidance, which helped make this Company a sound and successful enterprise, until his retirement in 2006. The Company has continued to prosper, under new management and guidance from our Board, with new products and fresh perspectives.

Ruger, in this relatively short time, has established itself as a leading small arms design organization, developing a unique and broad line of fine quality sporting, military and police firearms to become one of the world's most famous producers of revolvers, pistols, rifles and shotguns. Since 1949, Ruger craftsmen have built many millions of firearms.

During its six decades of growth and progress under the leadership of William B. Ruger, the Company developed a business philosophy and implemented policies which represent a constructive influence in the life of modern America. From the beginning, Ruger played a positive role in conservation efforts and has supported the interests of shooters through such groups as the National Rifle Association, National Shooting Sports Foundation, and many regional sportsmen's organizations.

The Company has always endeavored to market its firearms for constructive and recreational purposes, to emphasize the traditional and responsible aspects of shooting, to render meaningful public services, and to encourage shooters in constructive, responsible, and safe participation in the shooting sports. Its motto, "Arms Makers For Responsible Citizens®," exemplifies this Company philosophy.

Today, Ruger® is particularly mindful of those elements which have contributed to the creation of its success, and extends heartfelt thanks to its many loyal employees and customers.

Instruction manuals for all Ruger® firearms,
can be downloaded from our website at:

Ruger.com

WHY NO WARRANTY CARD HAS BEEN PACKED WITH THIS NEW RUGER® FIREARM

The Magnuson-Moss Act (Public Law 93-637) does not require any seller or manufacturer of a consumer product to give a written warranty. It does provide that if a written warranty is given, it must be designated as "limited" or as "full" and sets minimum standards for a "full" warranty. Sturm, Ruger & Company, Inc. has elected not to provide any written warranty, either "limited" or "full", rather than to attempt to comply with the provisions of the Magnuson-Moss Act and the regulations issued thereunder. There are certain implied warranties under state law with respect to sales of consumer goods. As the extent and interpretation of these implied warranties varies from state to state, you should refer to your state statutes. Sturm, Ruger & Company wishes to assure its customers of its continued interest in providing service to owners of Ruger® firearms.



STURM, RUGER & Company, Inc.
200 Ruger Road
Prescott, Arizona 86301 U.S.A.
Ruger.com
Arms Makers For Responsible Citizens®

**A COPY OF THE INSTRUCTION MANUAL FOR ANY RUGER®
FIREARM IS AVAILABLE FROM THE FACTORY FREE ON REQUEST, OR IT MAY BE
DOWNLOADED FROM OUR WEBSITE AT RUGER.COM.
THESE INSTRUCTION MANUALS CONTAIN IMPORTANT
WARNINGS WHICH MUST BE UNDERSTOOD
BEFORE USING THESE FIREARMS.**

The Following are Sturm, Ruger & Co., Inc. Trademarks: "All-Weather," "Bisley," "Gold Label," "I'm a Ruger American," "LC6," "LCR-357," "LC380CA," "LC Carbine," "LC Charger," "Mark II," "Mark III," "Mark IV," "Model 96," "P345," "P345D," "P345PR," "P85," "P89," "P90," "P91," "P93," "P94," "P95," "P97," "Power Bedding," "PC Carbine," "ReadyDot," "R.I.O.S.," "Ruger Marksman Adjustable," "Ruger 77/50," "Ruger 10/17," "Ruger 10/22 Takedown" phrase & logo design, "Secure Action," "Security-Six," "Service-Six," "77/357," "SFAR," "Single-Seven," "Speed-Six," "SR45," "SR-556C," "SR-556VT," "SR9c," "SR40c," "Super Bearcat," "Target Grey," "10/22-FS," "This is Ruger. This is America," "Tri-Flex," "22 Charger," "22/45," "22/45 RP," and "Your Next Handgun."

The Following are Registered U.S. Trademarks Belonging to Sturm, Ruger & Co., Inc.: "AC-556," "AR-556," "Arms Makers For Responsible Citizens," "Bearcat," "Blackhawk," "BX-15," "BX-25," "BX-Trigger," "Eagle - solid logo design, Eagle Hard 'R' logo holding gun, Eagle 'R' - soft 'R' & hard 'R' logo design, Eagle w/SR," "Eagle w/soft 'R' linear logo design, Eagle w/hard 'R' linear logo design, Eagle w/soft 'R' stacked logo design, Eagle w/hard 'R' stacked logo design, Eagle w/soft 'R' linear logo design & "Rugged, Reliable Firearms" below logo, Eagle w/hard 'R' linear logo design & "Rugged, Reliable Firearms" below logo, "EC9s," "Elite 452," "GP100," "Hawkeye," "It's Mine and It's American," "It's Mine. And It's American," "LC380," "LC9," "LC9s," "LC9s Pro," "LCP," "LCR," "LCRx," "M77," "Match Champion," "MAX-9," "Mini-14," "Mini Thirty," "9E," "Old Army," "Redhawk," "RUGER," "Ruger American," "Ruger American Pistol," "Ruger American Pistol" flag design, "Ruger American Rifle," "Ruger American Rimfire," "Ruger Custom Shop," "Ruger Hunting" - phrase & logo design, "Ruger Precision," "Ruger Precision Rifle" - phrase & logo design, "Ruger 77/17," "Ruger 77/22," "Ruger 77/44," "Ruger-5.7," "Ruger SP101," "Ruger Titanium," "Ruger 22/45 Lite," "Ruger Vaquero," "Rugged, Reliable Firearms," "Security-9," "Security-380," "Silent-SR," "Single-Nine," "Single-Six," "Single-Ten," the "SR" Design, "SR9," "SR40," "SR-22," "SR22," "SR-556," "SR-556 Takedown," "SR-762," "SR1911," "Super Redhawk Alaskan," "10/22," & "Wrangler."